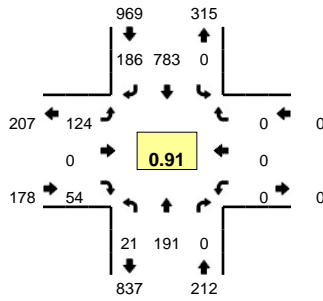
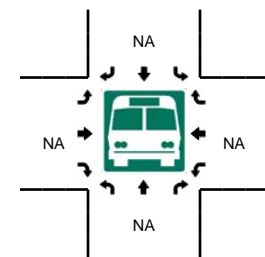
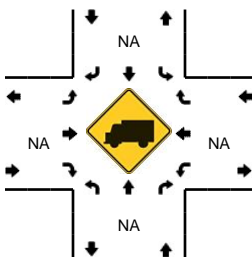
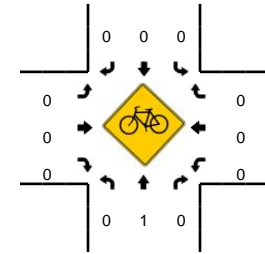
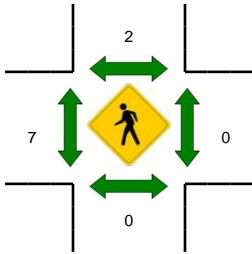
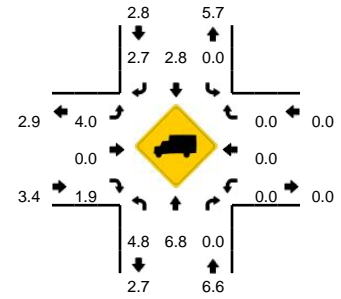


LOCATION: Main St -- E 45th St
CITY/STATE: Vancouver, WA

QC JOB #: 13418628
DATE: Thu, Jun 11 2015



Peak-Hour: 7:05 AM -- 8:05 AM
Peak 15-Min: 7:30 AM -- 7:45 AM



5-Min Count Period Beginning At	Main St (Northbound)				Main St (Southbound)				E 45th St (Eastbound)				E 45th St (Westbound)				Total	Hourly Totals
	Left	Thru	Right	U	Left	Thru	Right	U	Left	Thru	Right	U	Left	Thru	Right	U		
7:00 AM	1	7	0	0	0	53	11	0	8	0	3	0	0	0	0	0	83	
7:05 AM	2	14	0	0	0	66	6	0	9	0	3	0	0	0	0	0	100	
7:10 AM	2	15	0	0	0	84	14	0	10	0	3	0	0	0	0	0	128	
7:15 AM	2	10	0	0	0	79	14	0	11	0	6	0	0	0	0	0	122	
7:20 AM	4	11	0	0	0	70	11	0	7	0	5	0	0	0	0	0	108	
7:25 AM	1	17	0	0	0	82	11	0	7	0	3	0	0	0	0	0	121	
7:30 AM	0	23	0	0	0	71	9	0	7	0	8	0	0	0	0	0	118	
7:35 AM	2	12	0	0	0	87	13	0	9	0	7	0	0	0	0	0	130	
7:40 AM	1	9	0	0	0	74	19	0	18	0	6	0	0	0	0	0	127	
7:45 AM	1	22	0	0	0	58	14	0	7	0	4	0	0	0	0	0	106	
7:50 AM	1	17	0	0	0	39	17	0	17	0	3	0	0	0	0	0	94	
7:55 AM	2	25	0	0	0	37	24	0	13	0	2	0	0	0	0	0	103	1340
8:00 AM	3	16	0	0	0	36	34	0	9	0	4	0	0	0	0	0	102	1359
8:05 AM	2	16	0	0	0	29	33	0	11	0	7	0	0	0	0	0	98	1357
8:10 AM	4	24	0	0	0	34	19	0	23	0	9	0	0	0	0	0	113	1342
8:15 AM	7	11	0	0	0	55	20	0	19	0	11	0	0	0	0	0	123	1343
8:20 AM	2	20	0	0	0	38	16	0	21	0	6	0	0	0	0	0	103	1338
8:25 AM	4	26	0	0	0	32	10	0	34	0	13	0	0	0	0	0	119	1336
8:30 AM	2	9	0	0	0	36	11	0	18	0	12	0	0	0	0	0	88	1306
8:35 AM	2	29	0	0	0	49	11	0	10	0	15	0	0	0	0	0	116	1292
8:40 AM	2	21	0	0	0	38	6	0	12	0	8	0	0	0	0	0	87	1252
8:45 AM	2	19	0	0	0	43	6	0	11	0	4	0	0	0	0	0	85	1231
8:50 AM	2	31	0	0	0	49	16	0	5	0	6	0	0	0	0	0	109	1246
8:55 AM	4	22	0	0	0	35	12	0	9	0	7	0	0	0	0	0	89	1232
Peak 15-Min Flowrates	Northbound				Southbound				Eastbound				Westbound				Total	
	Left	Thru	Right	U	Left	Thru	Right	U	Left	Thru	Right	U	Left	Thru	Right	U		
All Vehicles	12	176	0	0	0	928	164	0	136	0	84	0	0	0	0	0	1500	
Heavy Trucks	4	8	0	0	0	28	8	0	8	0	0	0	0	0	0	0	56	
Pedestrians	0	0	0	0	0	0	0	0	0	8	0	0	0	0	0	0	8	
Bicycles	0	0	0	0	0	0	0	0	0	0	0	0	0	0	0	0	0	
Railroad																		
Stopped Buses																		

Comments: N/A