



Interval 15 MIN 60 MIN
 Count(volume) Binned(CL/SP)
 Speed Lane No 1 2

Direction CH #1 SB
 Direction CH #2 NB
 Data Hog # 172

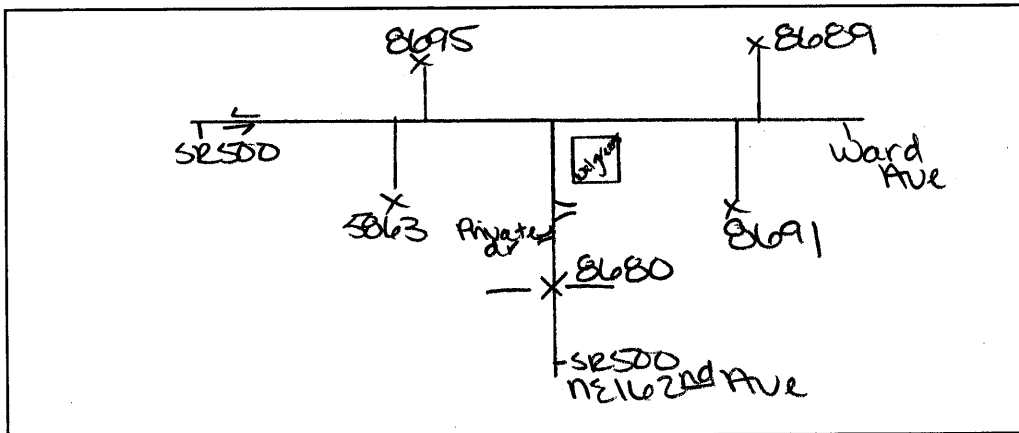
Counter No. 128680 Count ID SP#06-004
 SR 500 RRT/RRQ MP 9.26B
 Leg 2 Direction See 1,2 OSID

Station Description ON SR-500/ NE 162nd Ave S/O Ward Ave

ON SR 500 S/O WARD RD

Date	Day	Time	Comments
3/20/05	2	1458	Manual (1) 3 (2) 3 set cntr as 1,2 Counter (1) 3 (2) 3 cntr ok AH/JTM 6.6
3/21	3	0909	Manual (1) 32 (2) 20 Counter (1) 32 (2) 20 cntr ok AH/JTM 6.6
3/22	4	1056	Manual (1) 17 (2) 23 Counter (1) 17 (2) 23 cntr ok AH/JTM 6.7
3/23	5	0536	Manual (1) 15 (2) 1sv Counter (1) 15 (2) 1sv cntr ok AH/JTM 6.3
3/24	6	0825	Manual (1) (2) Counter (1) (2) cntr p/u AH/JTM 6.7

Sketch



Attaw
Field Person

SR 500 MP 009.268 OFF SYSTEM ID. LEG 2 DIRECTION OF TRAFFIC SOUTHBOUND LANE ALL OF

COUNT IDENTIFIER 06-004 COUNTER NUMBER 128680 DESCRIPTION: ON SR 500 S/O WARD RD

03/20/06 MONDAY		AM HOURS												PM HOURS												DAILY TOTAL		
COUNT	IDENTIFIER	1	2	3	4	5	6	7	8	9	10	11	12	1	2	3	4	5	6	7	8	9	10	11	12	TOTAL	TOTAL	
12	1	2	3	4	5	6	7	8	9	10	11	12	1	2	3	4	5	6	7	8	9	10	11	12	127	2277		
00-15													71	103	117	108	68	39	33	18	23							
15-30													118	92	131	84	44	42	34	17	16							
30-45													119	135	114	68	46	42	24	15	10							
45-00													94	131	116	78	47	35	30	10	5							
HOUR													402	461	478	338	205	158	121	60	54							
TOT													514	0												0	2277	

AM PEAK HOUR 0000 TO 0000 VOLUME 0
 PM PEAK HOUR 0430 TO 0530 VOLUME 514

03/21/06 TUESDAY		AM HOURS												PM HOURS												DAILY TOTAL						
COUNT	IDENTIFIER	1	2	3	4	5	6	7	8	9	10	11	12	1	2	3	4	5	6	7	8	9	10	11	12	TOTAL	TOTAL					
12	1	2	3	4	5	6	7	8	9	10	11	12	1	2	3	4	5	6	7	8	9	10	11	12	154	64						
00-15													47	58	87	65	66	71	102	105	87	69	45	54								
15-30													108	74	62	53	67	81	107	118	106	48	47	26								
30-45													112	65	71	66	72	54	93	108	113	98	45	46								
45-00													70	74	60	77	62	88	95	106	112	66	42	38								
HOUR													440	278	276	246	289	248	321	366	410	448	357	204	176							
TOT													448													606	448					

AM PEAK HOUR 0715 TO 0815 VOLUME 606
 PM PEAK HOUR 0500 TO 0600 VOLUME 448

03/22/06 WEDNESDAY		AM HOURS												PM HOURS												DAILY TOTAL						
COUNT	IDENTIFIER	1	2	3	4	5	6	7	8	9	10	11	12	1	2	3	4	5	6	7	8	9	10	11	12	TOTAL	TOTAL					
12	1	2	3	4	5	6	7	8	9	10	11	12	1	2	3	4	5	6	7	8	9	10	11	12	170	59						
00-15													45	79	83	57	71	101	102	114	94	74	37	63								
15-30													70	69	64	82	66	81	89	112	104	60	45	45								
30-45													111	88	80	71	88	77	91	105	105	73	46	36								
45-00													48	51	80	58	49	94	109	121	95	48	41	26								
HOUR													479	292	232	303	294	260	323	376	417	426	388	255	169							
TOT													452													578	452					

AM PEAK HOUR 0730 TO 0830 VOLUME 578
 PM PEAK HOUR 0445 TO 0545 VOLUME 452

DOT-RNBS15A-B

STATE OF WASHINGTON - DEPARTMENT OF TRANSPORTATION
TRIP SYSTEM
15 MINUTE TRAFFIC COUNT SUMMARY

DATE 04/17/06
TIME 05:37:33
PAGE 58

SR 500 MP 009.268 OFF SYSTEM ID. LEG 2 DIRECTION OF TRAFFIC SOUTHBOUND LANE ALL OF

COUNT IDENTIFIER 06-004 COUNTER NUMBER 128680 DESCRIPTION: ON SR 500 S/O WARD RD

03/23/06	THURSDAY	AM HOURS												PM HOURS												DAILY TOTAL
		1	2	3	4	5	6	7	8	9	10	11	12	1	2	3	4	5	6	7	8	9	10	11	12	
12	1	2	3	4	5	6	7	8	9	10	11	12	1	2	3	4	5	6	7	8	9	10	11	12	114	
1	2	3	4	5	6	7	8	9	10	11	12	1	2	3	4	5	6	7	8	9	10	11	12	114		
5	2	3	1	2	13	60	99	115	74	83	75	90	73	70	99	102	115	98	78	49	34	27	14			
15-30	5	4	2	4	4	27	99	153	124	64	70	74	59	57	73	102	123	120	108	53	49	42	18			
30-45	3	3	1	1	14	39	127	171	102	52	74	86	62	85	113	119	119	95	76	50	25	13				
45-00	9	2	4	1	16	36	138	138	109	65	58	55	64	87	109	111	114	62	58	44	23	15	10			
HOUR																										
TOT	22	11	10	9	36	115	424	561	450	279	270	281	290	256	315	423	455	468	363	265	192	124	86	55	5760	

AM PEAK HOUR 0715 TO 0815 VOLUME 577 AM TOTAL 2468
PM PEAK HOUR 0500 TO 0600 VOLUME 468 PM TOTAL 3292

03/24/06	FRIDAY	AM HOURS												PM HOURS												DAILY TOTAL
		1	2	3	4	5	6	7	8	9	10	11	12	1	2	3	4	5	6	7	8	9	10	11	12	
12	1	2	3	4	5	6	7	8	9	10	11	12	1	2	3	4	5	6	7	8	9	10	11	12	1140	
1	2	3	4	5	6	7	8	9	10	11	12	1	2	3	4	5	6	7	8	9	10	11	12	1140		
00-15	4	6	2	1	1	14	49	88	111																	
15-30	6	2	3	3	6	19	80	133																		
30-45	4	5	2	5	7	27	106	161																		
45-00	5	4	4	3	12	26	112	129																		
HOUR																										
TOT	19	17	11	12	26	86	347	511	111																	

03/20/06 THRU 03/24/06
TOTAL HOURS FOR COUNT 89

AM PEAK HOUR 0715 TO 0815 VOLUME 534 AM TOTAL 1140
PM PEAK HOUR 0000 TO 0000 VOLUME 0 PM TOTAL 0

3 DAYS AVG WEEKDAY VOL 5615 X SEASONAL ADJ. FACTOR 0.9400 = 5278 X AXLE CORR FACTOR 0.9586 = ESTIMATED AVG DAILY TRAFFIC 5059

FACTOR GROUP GR-02
FACTOR GROUP CB-20

DOT-RN8515A-B

STATE OF WASHINGTON - DEPARTMENT OF TRANSPORTATION

DATE 04/17/06
TIME 05:37:33
PAGE 59

TRIP SUMMARY
15 MINUTE TRAFFIC COUNT SUMMARY

SR 500 MP 009.26B OFF SYSTEM ID. LEG 2 DIRECTION OF TRAFFIC NORTHBOUND LANE ALL OF

COUNT IDENTIFIER 06-004 COUNTER NUMBER 128680 DESCRIPTION: ON SR 500 S/O WARD RD

COUNT IDENTIFIER	COUNTER NUMBER	AM HOURS												PM HOURS	DAILY TOTAL												
		1	2	3	4	5	6	7	8	9	10	11	12														
03/20/06 MONDAY		12	1	2	3	4	5	6	7	8	9	10	11	12	1	2	3	4	5	6	7	8	9	10	11	12	64
00-15																											
15-30																											
30-45																											
45-00																											
TOT																											3315

AM PEAK HOUR 0000 TO 0000 VOLUME 0
PM PEAK HOUR 0445 TO 0545 VOLUME 689

COUNT IDENTIFIER	COUNTER NUMBER	AM HOURS												PM HOURS	DAILY TOTAL												
		1	2	3	4	5	6	7	8	9	10	11	12														
03/21/06 TUESDAY		12	1	2	3	4	5	6	7	8	9	10	11	12	1	2	3	4	5	6	7	8	9	10	11	12	58
00-15																											
15-30																											
30-45																											
45-00																											
TOT																											7411

AM PEAK HOUR 0715 TO 0815 VOLUME 606
PM PEAK HOUR 0445 TO 0545 VOLUME 769

COUNT IDENTIFIER	COUNTER NUMBER	AM HOURS												PM HOURS	DAILY TOTAL												
		1	2	3	4	5	6	7	8	9	10	11	12														
03/22/06 WEDNESDAY		12	1	2	3	4	5	6	7	8	9	10	11	12	1	2	3	4	5	6	7	8	9	10	11	12	68
00-15																											
15-30																											
30-45																											
45-00																											
TOT																											7016

AM PEAK HOUR 0700 TO 0800 VOLUME 541
PM PEAK HOUR 0445 TO 0545 VOLUME 695

DATE 04/17/06
 TIME 05:37:33
 PAGE 60

SR 500 MP 009,268 OFF SYSTEM ID. LEG 2 DIRECTION OF TRAFFIC NORTHBOUND LANE ALL OF

COUNT IDENTIFIER 06-004 COUNTER NUMBER 128680 DESCRIPTION: ON SR 500 S/O WARD RD

03/23/06 THURSDAY	AM HOURS												PM HOURS												DAILY TOTAL
	1	2	3	4	5	6	7	8	9	10	11	12	1	2	3	4	5	6	7	8	9	10	11	12	
12	1	2	3	4	5	6	7	8	9	10	11	12	1	2	3	4	5	6	7	8	9	10	11	12	114
TOT	46	20	18	15	12	62	265	535	419	308	288	393	410	435	456	702	719	702	598	346	263	195	144	67	7418

AM PEAK HOUR 0700 TO 0800 VOLUME 535
 PM PEAK HOUR 0345 TO 0445 VOLUME 760
 AM TOTAL 2381
 PM TOTAL 5037

03/24/06 FRIDAY	AM HOURS												PM HOURS												DAILY TOTAL
	1	2	3	4	5	6	7	8	9	10	11	12	1	2	3	4	5	6	7	8	9	10	11	12	
12	1	2	3	4	5	6	7	8	9	10	11	12	1	2	3	4	5	6	7	8	9	10	11	12	1120
TOT	36	23	24	14	15	67	322	505	114																1120

AM PEAK HOUR 0715 TO 0815 VOLUME 518
 PM PEAK HOUR 0000 TO 0000 VOLUME 0
 AM TOTAL 1120
 PM TOTAL 0

03/20/06 THRU 03/24/06 TOTAL HOURS FOR COUNT 89

3 DAYS AVG WEEKDAY VOL 7282 X SEASONAL ADJ. FACTOR 0.9400 = 6845 X AXLE CORR FACTOR 0.9586 = ESTIMATED AVG DAILY TRAFFIC 6562

FACTOR GROUP GR-02
 FACTOR GROUP CB-20

SR 500 MP 009,268 OFF SYSTEM ID. LEG 2 DIRECTION OF TRAFFIC BOTH WAYS LANE ALL OF
 COUNT IDENTIFIER 06-004 COUNTER NUMBER 128680 DESCRIPTION: ON SR 500 S/O WARD RD

03/20/06	MONDAY	AM HOURS												PM HOURS					DAILY TOTAL							
		1	2	3	4	5	6	7	8	9	10	11	12	1	2	3	4	5		6	7	8	9	10	11	12
00-15	12	1	2	3	4	5	6	7	8	9	10	11	12	1	2	3	4	5	6	7	8	9	10	11	12	
15-30	1	2	3	4	5	6	7	8	9	10	11	12	1	2	3	4	5	6	7	8	9	10	11	12		
30-45																										
45-00																										
HOUR																										
TOT																										

AM PEAK HOUR 0000 TO 0000 VOLUME 0
 PM PEAK HOUR 0430 TO 0530 VOLUME 1190

03/21/06	TUESDAY	AM HOURS												PM HOURS					DAILY TOTAL							
		1	2	3	4	5	6	7	8	9	10	11	12	1	2	3	4	5		6	7	8	9	10	11	12
00-15	12	1	2	3	4	5	6	7	8	9	10	11	12	1	2	3	4	5	6	7	8	9	10	11	12	
15-30	1	2	3	4	5	6	7	8	9	10	11	12	1	2	3	4	5	6	7	8	9	10	11	12		
30-45																										
45-00																										
HOUR																										
TOT																										

AM PEAK HOUR 0715 TO 0815 VOLUME 1212
 PM PEAK HOUR 0445 TO 0545 VOLUME 1211

03/22/06	WEDNESDAY	AM HOURS												PM HOURS					DAILY TOTAL							
		1	2	3	4	5	6	7	8	9	10	11	12	1	2	3	4	5		6	7	8	9	10	11	12
00-15	12	1	2	3	4	5	6	7	8	9	10 <td>11</td> <td>12</td> <td>1</td> <td>2</td> <td>3</td> <td>4</td> <td>5</td> <td>6</td> <td>7</td> <td>8</td> <td>9</td> <td>10</td> <td>11</td> <td>12</td> <td></td>	11	12	1	2	3	4	5	6	7	8	9	10	11	12	
15-30	1	2	3	4	5	6	7	8	9	10	11	12	1	2	3	4	5	6	7	8	9	10	11	12		
30-45																										
45-00																										
HOUR																										
TOT																										

AM PEAK HOUR 0700 TO 0800 VOLUME 1098
 PM PEAK HOUR 0445 TO 0545 VOLUME 1147

03/21/06	TUESDAY	AM HOURS												PM HOURS					DAILY TOTAL							
		1	2	3	4	5	6	7	8	9	10	11	12	1	2	3	4	5		6	7	8	9	10	11	12
00-15	12	1	2	3	4	5	6	7	8	9	10	11	12	1	2	3	4	5	6	7	8	9	10	11	12	
15-30	1	2	3	4	5	6	7	8	9	10	11	12	1	2	3	4	5	6	7	8	9	10	11	12		
30-45																										
45-00																										
HOUR																										
TOT																										

AM PEAK HOUR 0700 TO 0800 VOLUME 1098
 PM PEAK HOUR 0445 TO 0545 VOLUME 1147

SR 500 MP 009,268 OFF SYSTEM ID. LEG 2 DIRECTION OF TRAFFIC BOTH WAYS LANE ALL OF

COUNT IDENTIFIER 06-004 COUNTER NUMBER 128680 DESCRIPTION: ON SR 500 S/O WARD RD

03/23/06 THURSDAY	AM HOURS												PM HOURS												DAILY TOTAL
	1	2	3	4	5	6	7	8	9	10	11	12	1	2	3	4	5	6	7	8	9	10	11	12	
12	1	2	3	4	5	6	7	8	9	10	11	12	1	2	3	4	5	6	7	8	9	10	11	12	260
1	2	3	4	5	6	7	8	9	10	11	12	1	2	3	4	5	6	7	8	9	10	11	12	225	
19	13	6	6	6	21	97	231	215	164	152	157	182	190	171	269	255	285	239	189	102	97	66	41	1162	
15-30	16	6	8	4	4	41	151	289	240	141	133	149	180	166	267	324	314	272	132	135	92	61	35	1162	
30-45	15	7	5	7	7	57	203	303	211	146	135	200	198	215	280	325	300	251	143	127	69	58	27	1162	
45-00	18	5	9	7	20	58	273	203	136	138	168	140	173	217	309	270	271	199	147	91	61	45	19	1162	
HOUR	68	31	28	24	48	177	689	1096	869	587	558	674	700	691	771	1125	1174	1170	961	611	455	319	230	122	13178
TOT	AM PEAK HOUR 0700 TO 0800 VOLUME 1096												PM PEAK HOUR 0345 TO 0445 VOLUME 1213												AM TOTAL 4849

03/24/06 FRIDAY	AM HOURS												PM HOURS												DAILY TOTAL
	1	2	3	4	5	6	7	8	9	10	11	12	1	2	3	4	5	6	7	8	9	10	11	12	
12	1	2	3	4	5	6	7	8	9	10	11	12	1	2	3	4	5	6	7	8	9	10	11	12	2260
1	2	3	4	5	6	7	8	9	10	11	12	1	2	3	4	5	6	7	8	9	10	11	12	2260	
18	16	8	5	2	23	82	189	225																1162	
15-30	14	7	11	7	12	29	152	271																1162	
30-45	11	9	7	8	10	45	224	296																1162	
45-00	12	8	9	6	17	56	211	260																1162	
HOUR	55	40	35	26	41	153	669	1016	225															13178	
TOT	AM PEAK HOUR 0715 TO 0815 VOLUME 1052												PM PEAK HOUR 0000 TO 0000 VOLUME 0												AM TOTAL 2260

03/20/06 THRU 03/24/06 TOTAL HOURS FOR COUNT 89
 3 DAYS AVG WEEKDAY VOL 12897 X SEASONAL ADJ. FACTOR 0.9400 = 12123 X AXLE CORR FACTOR 0.9586 = ESTIMATED AVG DAILY TRAFFIC 11621
 PEAK HOUR PERCENTAGES: K = 9.41 D = 62.65
 PEAK HOUR LOCATION : VOLUME = 1213 DATE: 03/23/06 TIME: 03:45 PM



Interval 15 MIN 60 MIN
 Count(volume) Binned(CL/SP)
 Speed Lane No 1 2

Direction CH #1 _____
 Direction CH #2 _____
 Data Hog # 172

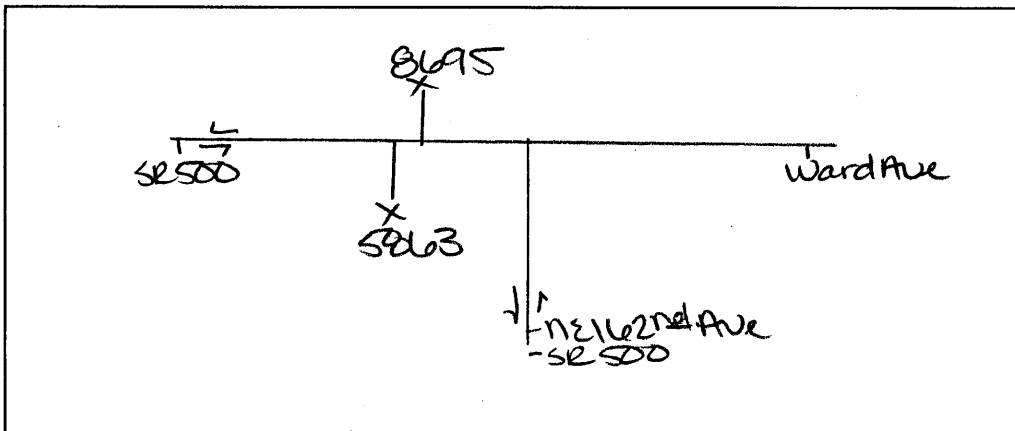
Counter No. 128695 Count ID SP#06-004
 SR 500 RRT/RRQ MP 9.26B
 Leg 1 Direction WB OSID _____

Station Description _ ON SR-500/ Ward Ave W/O NE 162nd Ave

ON SR 500 W/O NE 162 ND AVE

Date	Day	Time	Comments
3/20/05	2	1438	Manual (1) <u>3</u> (2) _____ set cntr as 1+2 6.4 Counter (1) <u>3</u> (2) _____ cntr ok AH/JTM
3/21	3	0849	Manual (1) <u>51</u> (2) _____ tube up down @ 0843 6.5 Counter (1) <u>51</u> (2) _____ cntr ok AH/JTM
3/22	4	1043	Manual (1) <u>37</u> (2) _____ 1 dc 6.7 Counter (1) <u>36</u> (2) _____ cntr ok AH/JTM
3/23	5	0518	Manual (1) <u>37</u> (2) _____ cntr ok AH/JTM 6.4 Counter (1) <u>37</u> (2) _____
3/24	6	<u>0813</u>	Manual (1) _____ (2) _____ cntr p/u AH/JTM 6.4 Counter (1) _____ (2) _____

Sketch



Alan
Field Person



Interval 15 MIN 60 MIN
 Count(volume) Binned(CL/SP)
 Speed Lane No 1 2

Direction CH #1 _____
 Direction CH #2 _____
 Data Hog # 172

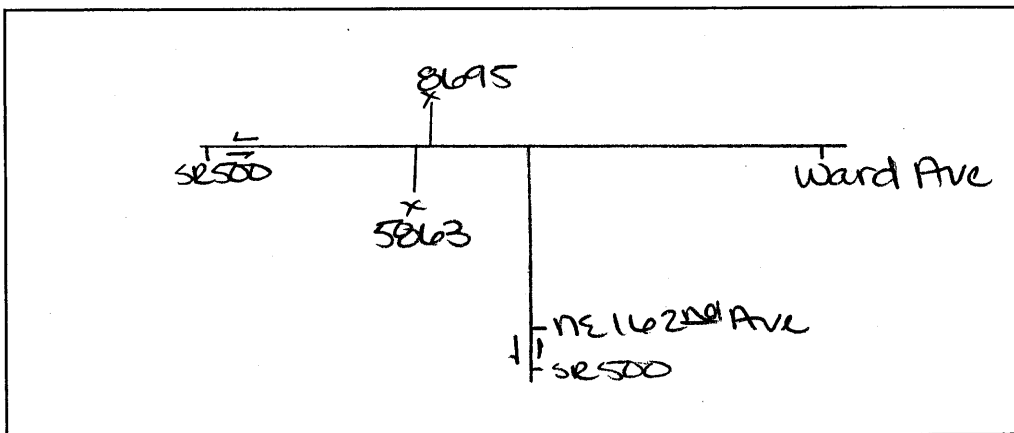
Counter No. 125863 Count ID SP#06-004
 SR 500 RRT/RRQ MP 9.26B
 Leg 1 Direction EB OSID _____

Station Description ON SR-500/ Ward Ave W/O NE 162nd Ave

ON SR 500 W/O NE 162ND AVE

Date	Day	Time	Comments
3/20/05	2	1436	Manual (1) <u>3</u> (2) _____ set cntr as 1+2 Counter (1) <u>3</u> (2) _____ cntr ok AH/JTM 6.3
3/21	3	0844	Manual (1) <u>39</u> (2) _____ cntr ok AH/JTM 6.4 Counter (1) <u>39</u> (2) _____
3/22	4	1042	Manual (1) <u>20</u> (2) _____ cntr ok AH/JTM 6.4 Counter (1) <u>20</u> (2) _____
3/23	5	0513	Manual (1) <u>6</u> (2) _____ cntr ok AH/JTM 6.3 Counter (1) <u>6</u> (2) _____
3/24	6	<u>0813</u>	Manual (1) _____ (2) _____ cntr p/u AH/JTM 6.4 Counter (1) _____ (2) _____

Sketch



Attaw
Field Person

SR 500 MP 009.268 OFF SYSTEM ID. LEG 1 DIRECTION OF TRAFFIC WESTBOUND LANE ALL OF
 COUNT IDENTIFIER 06-004 COUNTER NUMBER 128695 DESCRIPTION: ON SR 500 W/O NE 162ND AVE

03/20/06	MONDAY	AM HOURS												PM HOURS												DAILY TOTAL
		1	2	3	4	5	6	7	8	9	10	11	12	1	2	3	4	5	6	7	8	9	10	11	12	
00-15	12	1	2	3	4	5	6	7	8	9	10	11	12	1	2	3	4	5	6	7	8	9	10	11	12	
15-30	1	2	3	4	5	6	7	8	9	10	11	12	1	2	3	4	5	6	7	8	9	10	11	12		
30-45																										
45-00																										
TOT																										1128

AM PEAK HOUR 0000 TO 0000 VOLUME 0
 PM PEAK HOUR 0300 TO 0400 VOLUME 667

03/21/06	TUESDAY	AM HOURS												PM HOURS												DAILY TOTAL
		1	2	3	4	5	6	7	8	9	10	11	12	1	2	3	4	5	6	7	8	9	10	11	12	
00-15	12	1	2	3	4	5	6	7	8	9	10	11	12	1	2	3	4	5	6	7	8	9	10	11	12	
15-30	1	2	3	4	5	6	7	8	9	10	11	12	1	2	3	4	5	6	7	8	9	10	11	12		
30-45																										
45-00																										
TOT																										6880

AM PEAK HOUR 0845 TO 0945 VOLUME 652
 PM PEAK HOUR 0445 TO 0545 VOLUME 732

03/22/06	WEDNESDAY	AM HOURS												PM HOURS												DAILY TOTAL
		1	2	3	4	5	6	7	8	9	10	11	12	1	2	3	4	5	6	7	8	9	10	11	12	
00-15	12	1	2	3	4	5	6	7	8	9	10	11	12	1	2	3	4	5	6	7	8	9	10	11	12	
15-30	1	2	3	4	5	6	7	8	9	10	11	12	1	2	3	4	5	6	7	8	9	10	11	12		
30-45																										
45-00																										
TOT																										9766

AM PEAK HOUR 0700 TO 0800 VOLUME 1015
 PM PEAK HOUR 0500 TO 0600 VOLUME 696

DOT-RNB515A-B

STATE OF WASHINGTON - DEPARTMENT OF TRANSPORTATION
TRIP SYSTEM
15 MINUTE TRAFFIC COUNT SUMMARY

DATE 04/17/06
TIME 05:37:35
PAGE 52

SR 500 MP 009.268 OFF SYSTEM ID. LEG 1 DIRECTION OF TRAFFIC WESTBOUND LANE ALL OF

COUNT IDENTIFIER 06-004 COUNTER NUMBER 128695 DESCRIPTION: ON SR 500 W/O NE 162ND AVE

03/23/06 THURSDAY	AM HOURS												PM HOURS												DAILY TOTAL
	1	2	3	4	5	6	7	8	9	10	11	12	1	2	3	4	5	6	7	8	9	10	11	12	
12	1	2	3	4	5	6	7	8	9	10	11	12	1	2	3	4	5	6	7	8	9	10	11	12	10192
43	22	36	45	98	315	750	1047	780	596	474	515	615	505	530	732	712	693	619	345	280	229	145	66	4721	
AM PEAK HOUR 0700 TO 0800 VOLUME 1047												PM PEAK HOUR 0300 TO 0400 VOLUME 732												AM TOTAL 4721	
PM PEAK HOUR 0300 TO 0400 VOLUME 732																								PM TOTAL 5471	

03/24/06 FRIDAY	AM HOURS												PM HOURS												DAILY TOTAL
	1	2	3	4	5	6	7	8	9	10	11	12	1	2	3	4	5	6	7	8	9	10	11	12	
12	1	2	3	4	5	6	7	8	9	10	11	12	1	2	3	4	5	6	7	8	9	10	11	12	2208
36	21	29	36	88	335	703	960																		2208
AM PEAK HOUR 0700 TO 0800 VOLUME 960												PM PEAK HOUR 0000 TO 0000 VOLUME 0												AM TOTAL 2208	
PM PEAK HOUR 0000 TO 0000 VOLUME 0																								PM TOTAL 0	

03/20/06 THRU 03/24/06 TOTAL HOURS FOR COUNT 78

2 DAYS AVG WEEKDAY VOL 9979 X SEASONAL ADJ. FACTOR 0.9400 = 9380 X AXLE CORR FACTOR 0.9586 = ESTIMATED AVG DAILY TRAFFIC 8992

FACTOR GROUP GR-02

FACTOR GROUP CB-20

DOT-RNB515A-B

STATE OF WASHINGTON - DEPARTMENT OF TRANSPORTATION

DATE 04/17/06

TRIP SYSTEM
15 MINUTE TRAFFIC COUNT SUMMARY

TIME 05:37:33
PAGE 53

SR 500 MP 009.268 OFF SYSTEM ID. LEG 1 DIRECTION OF TRAFFIC EASTBOUND LANE ALL OF

COUNT IDENTIFIER 06-004 COUNTER NUMBER 125863 DESCRIPTION: ON SR 500 W/O NE 162ND AVE

03/20/06	MONDAY	AM HOURS												PM HOURS												AM TOTAL	PM TOTAL	DAILY TOTAL
12	1	2	3	4	5	6	7	8	9	10	11	12	1	2	3	4	5	6	7	8	9	10	11	12	12	1	0	4575
1	2	3	4	5	6	7	8	9	10	11	12	1	2	3	4	5	6	7	8	9	10	11	12	12	1	0	931	0
00-15															141	186	233	199	126	108	78	42	30					
15-30															179	196	253	175	101	87	78	45	34					
30-45															177	218	230	150	111	83	64	39	23					
45-00															151	173	215	150	109	83	56	25	12					
HOUR															151	173	215	150	109	83	56	25	12					
TOT															151	173	215	150	109	83	56	25	12					

03/21/06	TUESDAY	AM HOURS												PM HOURS												AM TOTAL	PM TOTAL	DAILY TOTAL			
12	1	2	3	4	5	6	7	8	9	10	11	12	1	2	3	4	5	6	7	8	9	10	11	12	12	1	0	4575			
1	2	3	4	5	6	7	8	9	10	11	12	1	2	3	4	5	6	7	8	9	10	11	12	12	1	0	931	0			
00-15															108	78	64	81	102	97	98	135	183	228	183	127	101	95	49	28	
15-30															83	60	77	84	77	114	128	186	174	247	167	115	93	65	48	30	
30-45															131	72	94	88	91	94	145	165	197	221	149	99	97	82	31	31	
45-00															92	67	103	109	101	101	137	190	200	210	144	84	77	43	28	20	
HOUR															92	67	103	109	101	101	137	190	200	210	144	84	77	43	28	20	
TOT															414	277	338	362	371	406	508	676	754	906	643	425	368	285	156	109	8002

03/22/06	WEDNESDAY	AM HOURS												PM HOURS												AM TOTAL	PM TOTAL	DAILY TOTAL			
12	1	2	3	4	5	6	7	8	9	10	11	12	1	2	3	4	5	6	7	8	9	10	11	12	12	1	0	4575			
1	2	3	4	5	6	7	8	9	10	11	12	1	2	3	4	5	6	7	8	9	10	11	12	12	1	0	931	0			
00-15															80	101	65	60	104	100	102	118	164	188	226	186	147	85	104	55	26
15-30															106	117	74	75	85	113	103	135	162	172	218	184	130	96	94	45	23
30-45															106	106	85	92	100	91	136	146	197	200	169	110	97	68	39	30	30
45-00															104	63	84	82	96	95	136	184	188	214	157	113	94	60	30	24	24
HOUR															104	63	84	82	96	95	136	184	188	214	157	113	94	60	30	24	24
TOT															428	287	311	371	400	436	519	656	745	858	696	500	372	326	169	103	8144

AM PEAK HOUR 0730 TO 0830 VOLUME 492
PM PEAK HOUR 0500 TO 0600 VOLUME 858

AM PEAK HOUR 0715 TO 0815 VOLUME 527
PM PEAK HOUR 0500 TO 0600 VOLUME 906

AM PEAK HOUR 0000 TO 0000 VOLUME 0
PM PEAK HOUR 0500 TO 0600 VOLUME 931

AM TOTAL 2364
PM TOTAL 5780

AM TOTAL 2395
PM TOTAL 5607

AM TOTAL 0
PM TOTAL 4575

SR 500 MP 009.268 OFF SYSTEM ID. LEG 1 DIRECTION OF TRAFFIC EASTBOUND LANE ALL OF
 COUNT IDENTIFIER 06-004 COUNTER NUMBER 125863 DESCRIPTION: ON SR 500 W/O NE 162ND AVE

03/23/06 THURSDAY		AM HOURS												PM HOURS												DAILY TOTAL	
TIME	COUNT	1	2	3	4	5	6	7	8	9	10	11	12	1	2	3	4	5	6	7	8	9	10	11	12	AM TOTAL	PM TOTAL
00-15	12	1	2	3	4	5	6	7	8	9	10	11	12	1	2	3	4	5	6	7	8	9	10	11	12	44	34
15-30	1	2	3	4	5	6	7	8	9	10	11	12	1	2	3	4	5	6	7	8	9	10	11	12	34	26	
30-45	1	2	3	4	5	6	7	8	9	10	11	12	1	2	3	4	5	6	7	8	9	10	11	12	26	26	
45-00	1	2	3	4	5	6	7	8	9	10	11	12	1	2	3	4	5	6	7	8	9	10	11	12	19	80	
TOT	44	34	26	26	19	80	301	484	441	302	320	379	381	411	544	718	821	903	685	468	385	312	175	123	8382		
									AM PEAK HOUR 0715 TO 0815 VOLUME																510		
									PM PEAK HOUR 0500 TO 0600 VOLUME																903		

03/24/06 FRIDAY		AM HOURS												PM HOURS												DAILY TOTAL	
TIME	COUNT	1	2	3	4	5	6	7	8	9	10	11	12 <th>1</th> <th>2</th> <th>3</th> <th>4</th> <th>5</th> <th>6</th> <th>7</th> <th>8</th> <th>9</th> <th>10</th> <th>11</th> <th>12 <th>AM TOTAL</th> <th>PM TOTAL</th> </th>	1	2	3	4	5	6	7	8	9	10	11	12 <th>AM TOTAL</th> <th>PM TOTAL</th>	AM TOTAL	PM TOTAL
00-15	12	1	2	3	4	5	6	7	8	9	10	11	12	1	2	3	4	5	6	7	8	9	10	11	12	57	43
15-30	1	2	3	4	5	6	7	8	9	10	11	12	1	2	3	4	5	6	7	8	9	10	11	12	43	27	
30-45	1	2	3	4	5	6	7	8	9	10	11	12	1	2	3	4	5	6	7	8	9	10	11	12	27	17	
45-00	1	2	3	4	5	6	7	8	9	10	11	12	1	2	3	4	5	6	7	8	9	10	11	12	17	26	
TOT	57	43	27	17	26	62	232	432	AM PEAK HOUR 0700 TO 0800 VOLUME																432		
									PM PEAK HOUR 0000 TO 0000 VOLUME																0		

03/20/06 THRU 03/24/06 TOTAL HOURS FOR COUNT 89
 3 DAYS
 AVG WEEKDAY VOL 8176 X SEASONAL ADJ. FACTOR 0.9400 = 7685 X AXLE CORR FACTOR 0.9586 = ESTIMATED AVG DAILY TRAFFIC 7367
 FACTOR GROUP GR-02
 FACTOR GROUP CB-20

SR 500 MP 009.268 OFF SYSTEM ID. LEG 1 DIRECTION OF TRAFFIC BOTH WAYS LANE ALL OF

COUNT IDENTIFIER 06-004 COUNTER NUMBER 125863 DESCRIPTION: ON SR 500 W/O NE 162ND AVE

COUNT	IDENTIFIER	AM HOURS												PM HOURS	DAILY TOTAL																									
		1	2	3	4	5	6	7	8	9	10	11	12																											
03/20/06	MONDAY	12	1	2	3	4	5	6	7	8	9	10	11	12	1	2	3	4	5	6	7	8	9	10	11	12	289	318	234	199	128	108								
00-15																												362	331	255	178	101	87							
15-30																												339	252	230	150	113	85							
30-45																												296	347	218	150	109	83							
45-00																																								
HOUR																																								
TOT																												296	1337	1119	934	677	451	363						5177

AM PEAK HOUR 0000 TO 0000 VOLUME 0
PM PEAK HOUR 0315 TO 0415 VOLUME 1366

COUNT	IDENTIFIER	AM HOURS												PM HOURS	DAILY TOTAL																																	
		1	2	3	4	5	6	7	8	9	10	11	12																																			
03/21/06	TUESDAY	12	1	2	3	4	5	6	7	8	9	10	11	12	1	2	3	4	5	6	7	8	9	10	11	12	108	248	158	197	231	230	228	306	355	408	344	225	194	156	87	49						
00-15																												83	213	199	211	184	239	257	326	349	425	289	195	173	121	76	53					
15-30																												143	220	203	201	222	211	253	317	345	399	308	172	167	129	58	58					
30-45																												273	192	239	233	219	221	300	382	396	357	283	162	124	85	54	35					
45-00																																																
HOUR																																																
TOT																												607	873	799	842	856	901	1038	1331	1445	1589	1224	754	658	491	275	195					13878

AM PEAK HOUR 0845 TO 0945 VOLUME 954
PM PEAK HOUR 0445 TO 0545 VOLUME 1628

COUNT	IDENTIFIER	AM HOURS												PM HOURS	DAILY TOTAL																																					
		1	2	3	4	5	6	7	8	9	10	11	12																																							
03/22/06	WEDNESDAY	12	1	2	3	4	5	6	7	8	9	10	11	12	1	2	3	4	5	6	7	8	9	10	11	12	32	17	16	9	16	71	176	344	315	235	160	219	229	235	239	299	346	385	336	269	171	164	110	50		
00-15																												15	27	20	13	16	88	222	380	299	231	183	195	243	230	269	321	322	403	375	234	179	141	78	32	
15-30																												17	18	13	15	39	121	291	398	326	198	237	226	201	241	279	304	363	376	291	192	168	126	69	53	
30-45																												17	11	5	12	46	138	306	353	259	204	194	212	224	212	303	338	353	390	301	174	163	91	51	32	
45-00																																																				
HOUR																																																				
TOT																												93	61	54	49	117	418	995	1475	1199	868	774	852	897	918	1090	1262	1384	1554	1303	869	681	522	308	167	17910

AM PEAK HOUR 0700 TO 0800 VOLUME 1475
PM PEAK HOUR 0500 TO 0600 VOLUME 1554

SR 500 MP 009.268 OFF SYSTEM ID. LEG 1 DIRECTION OF TRAFFIC BOTH WAYS LANE ALL OF

COUNT IDENTIFIER 06-004 COUNTER NUMBER 125863 DESCRIPTION: ON SR 500 W/O NE 162ND AVE

03/23/06	THURSDAY	AM HOURS												PM HOURS												DAILY TOTAL
		1	2	3	4	5	6	7	8	9	10	11	12	1	2	3	4	5	6	7	8	9	10	11	12	
00-15	28	16	12	11	17	64	162	324	336	239	194	208	243	230	249	344	354	394	341	242	159	148	87	59		
15-30	15	15	14	22	21	96	248	419	312	218	200	219	251	232	247	394	397	425	326	198	180	149	90	49		
30-45	24	14	20	21	40	116	306	393	279	230	183	242	246	217	271	366	402	391	342	183	169	129	80	42		
45-00	20	11	16	17	39	119	335	395	294	211	217	225	256	237	307	346	380	386	295	190	157	115	63	39		
TOT	87	56	62	71	117	395	1051	1531	1221	898	794	894	996	916	1074	1450	1533	1596	1304	813	665	541	320	189		
									AM PEAK HOUR 0715 TO 0815 VOLUME							1543						AM TOTAL		7177		
									PM PEAK HOUR 0430 TO 0530 VOLUME							1601						PM TOTAL		11397		

03/24/06	FRIDAY	AM HOURS												PM HOURS												DAILY TOTAL
		1	2	3	4	5	6	7	8	9	10	11	12	1	2	3	4	5	6	7	8	9	10	11	12	
00-15	12	1	2	3	4	5	6	7	8	9	10	11	12	1	2	3	4	5	6	7	8	9	10	11		
15-30	26	22	15	10	19	68	161	293																		
30-45	27	15	17	11	28	90	214	377																		
45-00	23	18	10	19	33	110	289	379																		
TOT	93	64	56	53	114	397	935	1392																		
									AM PEAK HOUR 0700 TO 0800 VOLUME							1392							AM TOTAL		3104	
									PM PEAK HOUR 0000 TO 0000 VOLUME							0							PM TOTAL		0	

03/20/06 THRU 03/24/06 TOTAL HOURS FOR COUNT 78
 2 DAYS
 AVG WEEKDAY VOL 18242 X SEASONAL ADJ. FACTOR 0.9400 = 17147 X AXLE CORR FACTOR 0.9586 = ESTIMATED AVG DAILY TRAFFIC 16437
 PEAK HOUR PERCENTAGES: K = 8.92 D = 55.04
 PEAK HOUR LOCATION : VOLUME = 1628 DATE: 03/21/06 TIME: 04:45 PM



Interval 15 MIN 60 MIN
 Count(volume) Binned(CL/SP)
 Speed Lane No 1 2

Direction CH #1 _____
 Direction CH #2 _____
 Data Hog # 172

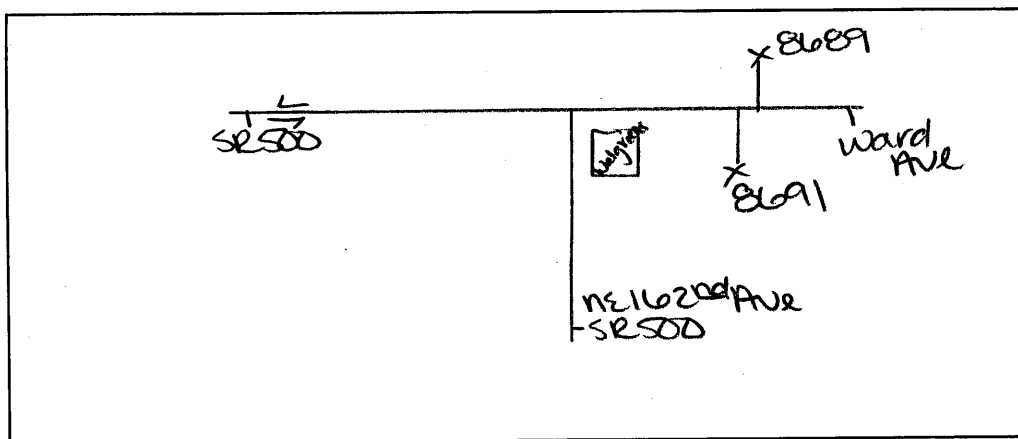
Counter No. 128689 Count ID SP#06-004
 SR 500 RRT/RRQ _____ MP 9.26B
 Leg L Direction WB OSID _____

Station Description ON Ward Ave E/O SR-500/ NE 162nd Ave

ON WARD RD E/O SR 500

Date	Day	Time	Comments
3/20/05	2	1451	Manual (1) 3 (2) _____ set cntr as 1+2 6.4 Counter (1) 3 (2) _____ cntr ok AH/JTM
3/21	3	0903	Manual (1) 52 (2) _____ 2 dc 6.6 Counter (1) 50 (2) _____ cntr ok AH/JTM
3/22	4	1049	Manual (1) 26 (2) _____ 2 dc 6.8 Counter (1) 24 (2) _____ cntr ok AH/JTM
3/23	5	0532	Manual (1) 18 (2) _____ cntr ok AH/JTM 6.3 Counter (1) 18 (2) _____
3/24	6	0821	Manual (1) (2) _____ cntr p/u AH/JTM 6.4 Counter (1) (2) _____

Sketch



[Signature]
Field Person



Interval 15 MIN 60 MIN
 Count(volume) Binned(CL/SP)
 Speed Lane No 1 2

Direction CH #1 _____
 Direction CH #2 _____
 Data Hog # 172

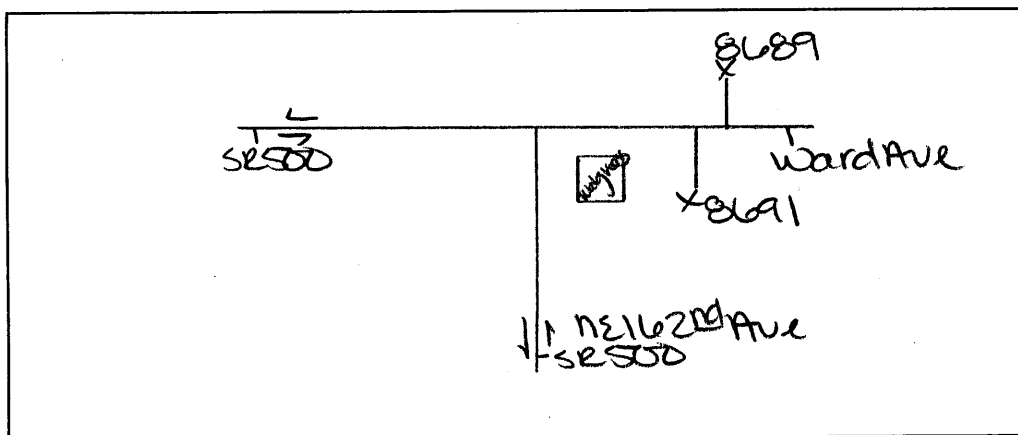
Counter No. 128691 Count ID SP#06-004
 SR 500 RRT/RRQ MP 9.26B
 Leg L Direction EB OSID _____

Station Description ON Ward Ave E/O SR-500/ NE 162nd Ave

ON WARD RD E/O SR 500

Date	Day	Time	Comments
3/20/05	2	1449	Manual (1) <u>3</u> (2) _____ set cntr as 1+2 Counter (1) <u>3</u> (2) _____ cntr ok AH/JTM 6.4
3/21	3	0856	Manual (1) <u>21</u> (2) _____ cntr ok AH/JTM 6.6 Counter (1) <u>21</u> (2) _____
3/22	4	1049	Manual (1) <u>34</u> (2) _____ cntr ok AH/JTM 6.8 Counter (1) <u>34</u> (2) _____
3/23	5	0526	Manual (1) <u>3</u> (2) _____ cntr ok AH/JTM 6.4 Counter (1) <u>3</u> (2) _____
3/24	6	<u>0817</u>	Manual (1) _____ (2) _____ cntr p/u AH/JTM 6.4 Counter (1) _____ (2) _____

Sketch



[Signature]
Field Person

SR 500 MP 009.268 OFF SYSTEM ID. LEG L DIRECTION OF TRAFFIC WESTBOUND LANE ALL OF
 COUNT IDENTIFIER 06-004 COUNTER NUMBER 128689 DESCRIPTION: ON WARD RD E/O SR 500

03/20/06	MONDAY												DAILY TOTAL																													
	AM HOURS																																									
00-15	15-30	30-45	45-00	00-15	15-30	30-45	45-00	00-15	15-30	30-45	45-00	00-15	15-30	30-45	45-00	TOT																										
12	1	2	3	4	5	6	7	8	9	10	11	12	1	2	3	4	5	6	7	8	9	10	11	12	10																	
1	2	3	4	5	6	7	8	9	10	11	12	1	2	3	4	5	6	7	8	9	10	11	12	10	11	12	10															
87	131	109	106	87	29	29	38	22	10	117	105	104	96	50	58	131	158	103	87	36	25	11	6	108	121	119	73	69	37	18	12	6	443	515	435	362	264	131	110	53	39	2352
AM PEAK HOUR 0000 TO 0000 VOLUME																0	PM HOURS																443									
PM PEAK HOUR 0400 TO 0500 VOLUME																515	AM PEAK HOUR 0645 TO 0745 VOLUME																904									
AM PEAK HOUR 0400 TO 0500 VOLUME																472	PM PEAK HOUR 0415 TO 0515 VOLUME																475									

03/21/06	TUESDAY												DAILY TOTAL																																			
	AM HOURS																																															
00-15	15-30	30-45	45-00	00-15	15-30	30-45	45-00	00-15	15-30	30-45	45-00	00-15	15-30	30-45	45-00	TOT																																
12	1	2	3	4	5	6	7	8	9	10	11	12	1	2	3	4	5	6	7	8	9	10	11	12	10																							
1	2	3	4	5	6	7	8	9	10	11	12	1	2	3	4	5	6	7	8	9	10	11	12	10	11	12	10																					
187	147	225	187	141	95	98	118	98	83	105	108	99	94	82	48	48	41	27	14	175	121	104	100	76	83	84	109	117	80	100	100	99	94	89	91	91	89	34	42	33	33	15	9	42	33	33	15	9
AM PEAK HOUR 0700 TO 0800 VOLUME																918	PM HOURS																472															
PM PEAK HOUR 0400 TO 0500 VOLUME																472	AM PEAK HOUR 0645 TO 0745 VOLUME																918															
AM PEAK HOUR 0400 TO 0500 VOLUME																472	PM PEAK HOUR 0415 TO 0515 VOLUME																475															

03/22/06	WEDNESDAY												DAILY TOTAL																										
	AM HOURS																																						
00-15	15-30	30-45	45-00	00-15	15-30	30-45	45-00	00-15	15-30	30-45	45-00	00-15	15-30	30-45	45-00	TOT																							
12	1	2	3	4	5	6	7	8	9	10	11	12	1	2	3	4	5	6	7	8	9	10	11	12	10														
1	2	3	4	5	6	7	8	9	10	11	12	1	2	3	4	5	6	7	8	9	10	11	12	10	11	12	10												
203	127	86	82	101	74	96	100	112	116	113	87	55	58	33	32	23	23	10	14	174	113	114	97	86	88	103	95	113	99	117	88	87	69	49	32	32	23	10	14
AM PEAK HOUR 0645 TO 0745 VOLUME																904	PM HOURS																471						
PM PEAK HOUR 0415 TO 0515 VOLUME																475	AM PEAK HOUR 0645 TO 0745 VOLUME																904						
AM PEAK HOUR 0415 TO 0515 VOLUME																475	PM PEAK HOUR 0415 TO 0515 VOLUME																475						

SR 500 MP 009,268 OFF SYSTEM ID. LEG L DIRECTION OF TRAFFIC WESTBOUND LANE ALL OF
 COUNT IDENTIFIER 06-004 COUNTER NUMBER 128689 DESCRIPTION: ON WARD RD E/O SR 500

03/23/06 THURSDAY		AM HOURS												PM HOURS												DAILY TOTAL
1	2	3	4	5	6	7	8	9	10	11	12	1	2	3	4	5	6	7	8	9	10	11	12	TOTAL		
12	1	2	3	4	5	6	7	8	9	10	11	12	1	2	3	4	5	6	7	8	9	10	11	12	TOTAL	
5	4	4	11	50	121	189	175	112	92	99	113	82	88	113	114	100	128	67	42	52	25	13	13	13	4013	
6	4	1	13	19	89	157	157	118	129	89	119	89	105	99	112	122	124	53	35	42	16	17	10	17	488	
4	4	9	15	45	90	201	140	140	101	79	114	76	83	123	140	112	124	99	58	33	18	10	10	3778		
7	4	6	11	34	106	217	150	106	100	112	104	96	97	122	103	105	105	75	51	37	17	17	6	7791		
TOT	19	16	22	43	109	335	622	476	422	379	450	343	373	457	469	439	481	294	186	164	76	46	7791			
							AM PEAK HOUR 0700 TO 0800 VOLUME														AM TOTAL				4013	
							PM PEAK HOUR 0345 TO 0445 VOLUME														PM TOTAL				3778	

03/24/06 FRIDAY		AM HOURS												PM HOURS												DAILY TOTAL
1	2	3	4	5	6	7	8	9	10	11	12	1	2	3	4	5	6	7	8	9	10	11	12	TOTAL		
12	1	2	3	4	5	6	7	8	9	10	11	12	1	2	3	4	5	6	7	8	9	10	11	12	TOTAL	
8	6	3	2	13	50	136	198	199																	2186	
5	5	4	7	22	73	159	213																		849	
3	3	4	16	28	96	172	254																		0	
1	3	3	9	25	111	179	183																		0	
TOT	19	9	13	34	88	330	646	848	199																2186	
							AM PEAK HOUR 0715 TO 0815 VOLUME														AM TOTAL				2186	
							PM PEAK HOUR 0000 TO 0000 VOLUME														PM TOTAL				0	

03/20/06 THRU 03/24/06 TOTAL HOURS FOR COUNT 89
 3 DAYS AVG WEEKDAY VOL 7715 X SEASONAL ADJ. FACTOR 0.9400 = 7252 X AXLE CORR FACTOR 0.9586 = ESTIMATED AVG DAILY TRAFFIC 6952
 FACTOR GROUP GR-02
 FACTOR GROUP CB-20

SR 500 MP 009.268 OFF SYSTEM ID. LEG L DIRECTION OF TRAFFIC EASTBOUND LANE ALL OF

COUNT IDENTIFIER 06-004 COUNTER NUMBER 128691 DESCRIPTION: ON WARD RD E/O SR 500

COUNT	IDENTIFIER	DATE	AM HOURS												PM TOTAL	DAILY TOTAL								
			1	2	3	4	5	6	7	8	9	10	11	12										
03/20/06	MONDAY		12	1	2	3	4	5	6	7	8	9	10	11	12	158	174	234	194	118	109	73	43	28
00-15																197	238	232	202	114	70	81	59	40
15-30																158	188	258	153	120	67	55	36	21
30-45																204	204	195	149	112	88	50	25	18
45-00																								
HOUR																								
TOT			717	804	919	698	464	334	259	163	107	4465												

AM PEAK HOUR 0000 TO 0000 VOLUME 0
 PM PEAK HOUR 0445 TO 0545 VOLUME 928

COUNT	IDENTIFIER	DATE	AM HOURS												PM TOTAL	DAILY TOTAL																								
			1	2	3	4	5	6	7	8	9	10	11	12																										
03/21/06	TUESDAY		12	1	2	3	4	5	6	7	8	9	10	11	12	51	52	21	16	13	43	138	288	334	235	279	350	351	412	470	653	823	916	686	477	391	273	170	95	7517
00-15																																								
15-30																																								
30-45																																								
45-00																																								
HOUR																																								
TOT			51	52	21	16	13	43	138	288	334	235	279	350	351	412	470	653	823	916	686	477	391	273	170	95	7517													

AM PEAK HOUR 0800 TO 0900 VOLUME 334
 PM PEAK HOUR 0430 TO 0530 VOLUME 937

COUNT	IDENTIFIER	DATE	AM HOURS												PM TOTAL	DAILY TOTAL																								
			1	2	3	4	5	6	7	8	9	10	11	12																										
03/22/06	WEDNESDAY		12	1	2	3	4	5	6	7	8	9	10	11	12	61	28	24	21	18	25	156	278	286	207	298	298	336	440	522	666	804	884	738	536	436	318	184	102	7666
00-15																																								
15-30																																								
30-45																																								
45-00																																								
HOUR																																								
TOT			61	28	24	21	18	25	156	278	286	207	298	298	336	440	522	666	804	884	738	536	436	318	184	102	7666													

AM PEAK HOUR 1045 TO 1145 VOLUME 325
 PM PEAK HOUR 0445 TO 0545 VOLUME 897

SR 500 MP 009.268 OFF SYSTEM ID. LEG L DIRECTION OF TRAFFIC EASTBOUND LANE ALL OF

COUNT IDENTIFIER 06-004 COUNTER NUMBER 128691 DESCRIPTION: ON WARD RD E/O SR 500

03/23/06 THURSDAY	AM HOURS												PM HOURS												DAILY TOTAL	
	1	2	3	4	5	6	7	8	9	10	11	12	1	2	3	4	5	6	7	8	9	10	11	12		
12	1	2	3	4	5	6	7	8	9	10	11	12	1	2	3	4	5	6	7	8	9	10	11	12	1713	
1	2	3	4	5	6	7	8	9	10	11	12	1	2	3	4	5	6	7	8	9	10	11	12	6127		
00-15	13	13	6	7	5	5	21	52	71	60	77	96	96	106	159	204	214	193	141	93	115	49	33	40		
15-30	16	6	6	8	2	9	28	66	65	54	66	83	93	81	122	177	222	223	131	112	69	44	27	40		
30-45	11	11	9	7	2	10	36	76	75	50	71	88	73	94	139	207	207	185	120	104	73	37	27	40		
45-00	6	11	5	3	1	11	38	91	75	65	77	90	80	124	170	204	245	239	183	117	85	69	26	26		
TOT	46	41	26	25	10	35	123	285	286	224	274	338	342	395	537	731	894	923	784	509	392	326	168	126	7840	
									AM PEAK HOUR 1100 TO 1200 VOLUME																338	
									PM PEAK HOUR 0430 TO 0530 VOLUME																	945
									AM TOTAL																	1713
									PM TOTAL																	6127

03/24/06 FRIDAY	AM HOURS												PM HOURS												DAILY TOTAL
	1	2	3	4	5	6	7	8	9	10	11	12	1	2	3	4	5	6	7	8	9	10	11	12	
12	1	2	3	4	5	6	7	8	9	10	11	12	1	2	3	4	5	6	7	8	9	10	11	12	633
1	2	3	4	5	6	7	8	9	10	11	12	1	2	3	4	5	6	7	8	9	10	11	12	0	
00-15	19	17	7	6	2	5	17	32	67																67
15-30	22	11	8	2	8	11	26	77																	77
30-45	13	10	1	7	5	6	31	53																	53
45-00	7	6	9	1	4	12	45	88																	88
TOT	61	44	25	14	19	34	119	250	67																633
									AM PEAK HOUR 0715 TO 0815 VOLUME																285
									PM PEAK HOUR 0000 TO 0000 VOLUME																0
									AM TOTAL																633
									PM TOTAL																0

03/20/06 THRU 03/24/06
 TOTAL HOURS FOR COUNT 89

3 DAYS AVG WEEKDAY VOL 7674 X SEASONAL ADJ. FACTOR 0.9400 = 7214 X AXLE CORR FACTOR 0.9586 = ESTIMATED AVG DAILY TRAFFIC 6915

FACTOR GROUP GR-02

FACTOR GROUP CB-20

SR 500 MP 009,268 OFF SYSTEM ID. LEG L DIRECTION OF TRAFFIC BOTH WAYS LANE ALL OF
 COUNT IDENTIFIER 06-004 COUNTER NUMBER 128691 DESCRIPTION: ON WARD RD E/O SR 500

03/20/06 MONDAY AM HOURS PM HOURS

00-15	12	1	2	3	4	5	6	7	8	9	10	11	12	DAILY TOTAL
15-30	1	2	3	4	5	6	7	8	9	10	11	12		
30-45														
45-00														
HOUR														
TOT														

AM PEAK HOUR 0000 TO 0000 VOLUME 0
 PM PEAK HOUR 0445 TO 0545 VOLUME 1365

AM TOTAL 6817
 PM TOTAL 1160

03/21/06 TUESDAY AM HOURS PM HOURS

00-15	12	1	2	3	4	5	6	7	8	9	10	11	12	DAILY TOTAL
15-30	1	2	3	4	5	6	7	8	9	10	11	12		
30-45														
45-00														
HOUR														
TOT														

AM PEAK HOUR 0700 TO 0800 VOLUME 1206
 PM PEAK HOUR 0430 TO 0530 VOLUME 1363

AM TOTAL 5921
 PM TOTAL 9166

03/22/06 WEDNESDAY AM HOURS PM HOURS

00-15	12	1	2	3	4	5	6	7	8	9	10	11	12	DAILY TOTAL
15-30	1	2	3	4	5	6	7	8	9	10	11	12		
30-45														
45-00														
HOUR														
TOT														

AM PEAK HOUR 0715 TO 0815 VOLUME 1175
 PM PEAK HOUR 0445 TO 0545 VOLUME 1344

AM TOTAL 5813
 PM TOTAL 9638

SR 500 MP 009.268 OFF SYSTEM ID. LEG L DIRECTION OF TRAFFIC BOTH WAYS LANE ALL OF

COUNT IDENTIFIER 06-004 COUNTER NUMBER 128691 DESCRIPTION: ON WARD RD E/O SR 500

03/23/06	THURSDAY	AM HOURS												PM HOURS	DAILY TOTAL									
		1	2	3	4	5	6	7	8	9	10	11	12											
00-15	18	17	12	11	16	55	142	241	246	167	152	176	209	178	194	272	318	314	321	208	135	167	74	46
15-30	22	10	7	21	21	98	185	295	222	172	195	172	212	170	227	276	334	385	347	184	147	111	60	57
30-45	12	15	18	22	47	100	237	311	215	190	172	167	187	170	222	314	363	319	309	219	162	106	55	37
45-00	13	15	11	14	35	117	255	312	225	171	177	202	184	220	267	326	348	344	288	192	134	106	55	32
TOT	65	57	48	68	119	370	819	1159	908	700	696	717	792	738	910	1188	1363	1362	1265	803	578	490	244	172
									AM PEAK HOUR 0715 TO 0815 VOLUME 1164													AM TOTAL 5726		
									PM PEAK HOUR 0430 TO 0530 VOLUME 1410													PM TOTAL 9905		

03/24/06	FRIDAY	AM HOURS												PM HOURS	DAILY TOTAL										
		1	2	3	4	5	6	7	8	9	10	11	12												
00-15	12	1	2	3	4	5	6	7	8	9	10	11	12	1	2	3	4	5	6	7	8	9	10	11	12
15-30	27	23	10	8	15	55	153	230	266																
30-45	27	11	12	7	30	84	185	290																	
45-00	18	13	4	23	33	102	203	307																	
TOT	80	53	38	48	107	364	765	1098	266																
									AM PEAK HOUR 0715 TO 0815 VOLUME 1134														AM TOTAL 2819		
									PM PEAK HOUR 0000 TO 0000 VOLUME 0														PM TOTAL 0		

03/20/06 THRU 03/24/06 TOTAL HOURS FOR COUNT 89
 3 DAYS AVG WEEKDAY VOL 15390 X SEASONAL ADJ. FACTOR 0.9400 = 14467 X AXLE CORR FACTOR 0.9586 = ESTIMATED AVG DAILY TRAFFIC 13868
 PEAK HOUR PERCENTAGES: K = 9.16 D = 67.02
 PEAK HOUR LOCATION : VOLUME = 1410 DATE: 03/23/06 TIME: 04:30 PM