



Washington State
Department of Transportation

Diamond Traffic Counter

Interval 60 min. 15 min.
 Binned(CL/SP) Count(volume)
 Lane No 1 2

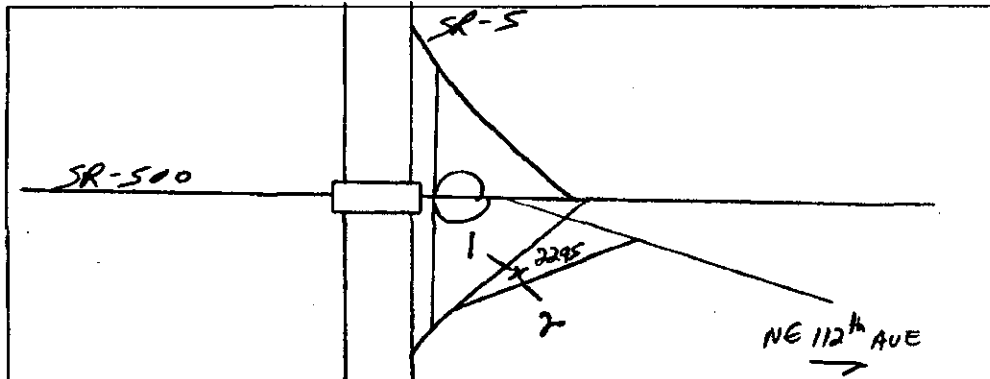
Direction Channel 1 P1 03060 NB 2 of 3
 Direction Channel 2 P2 03060 NB 1 of 3
 Unique ID# _____

Counter No. 492295 Count ID 14-003
 SR 205 RRT/RRQ CI 03005 MP 0.00
 Leg 2 Direction See 1,2 OSID _____

Station Description ON SR 205 NB COLL-DIST TO NE 112TH AVE / SR 500 / SR 205 NB

Date	Day	Time	Comments
12/1/14	2	1056	Manual (1) 1 (2) 1 Counter (1) 1 (2) 1 SET COUNTER OK DB/BJ
12/2	3	1111	Manual (1) 38 (2) 39 Counter (1) 38 (2) 39 CHECK COUNTER OK
12/3	4	1046	Manual (1) 43 (2) 25 Counter (1) 43 (2) 25 CHECK COUNTER OK
12/4	5	1043	Manual (1) 37 (2) 28 Counter (1) 37 (2) 28 CHECK COUNTERS OK
12/5	6	1102	Manual (1) 1 (2) 1 Counter (1) 1 (2) 1 P/U COUNTER OK DB/BJ

Sketch



North

DB/BJ

Field Person



Washington State
Department of Transportation

Ru

Diamond Traffic Counter

Interval 60 min. 15 min.
 Binned(CL/SP) Count(volume)
 Lane No 1 2

3 of 3

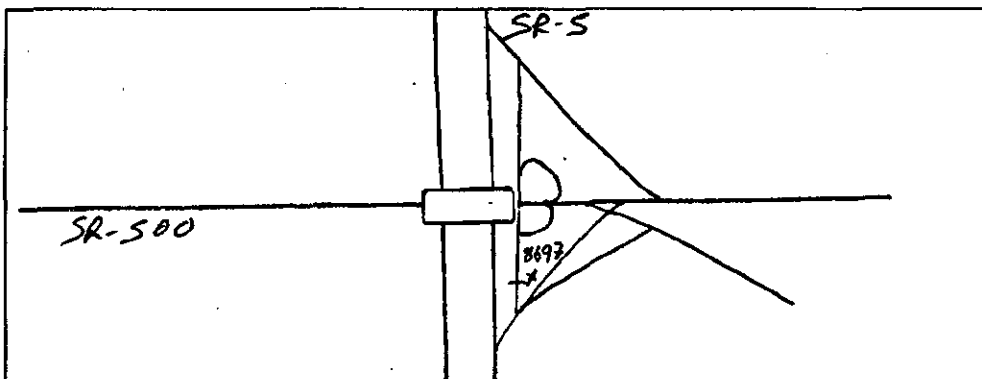
Direction Channel 1 _____
 Direction Channel 2 _____
 Unique ID# _____

Counter No. 498697 Count ID 14-003
 SR 205 RRT/RRQ CI 03005 MP ~~0.64~~ 0.00
 Leg 2 Direction NB OSID _____

Station Description ON SR 205 NB COLL-DIST TO NE 112TH AVE / SR 500 / SR 205 NB

Date	Day	Time	Comments
12/1/14	2	1050	Manual (1) <u>1</u> (2) _____ Counter (1) <u>1</u> (2) _____ SET COUNTER OK DB/BJ
12/2	3	1105	Manual (1) <u>50</u> (2) _____ Counter (1) <u>50</u> (2) _____ CHECK COUNTER OK
12/3	4	1041	Manual (1) <u>50</u> (2) _____ Counter (1) <u>50</u> (2) _____ CHECK COUNTER OK
12/4	5	1036	Manual (1) <u>50</u> (2) _____ Counter (1) <u>50</u> (2) _____ CHECK COUNTERS OK
12/5	6	1058	Manual (1) <u>1</u> (2) _____ Counter (1) <u>1</u> (2) _____ P/U COUNTER OK DB/BJ

Sketch



DB / BJ
Field Person

DOT-RNB515A-B

STATE OF WASHINGTON - DEPARTMENT OF TRANSPORTATION
TRIP SYSTEM
15 MINUTE TRAFFIC COUNT SUMMARY

DATE 12/12/14
TIME 09:40:21
PAGE 103

SR 205 C103005 MP 000.00 OFF SYSTEM ID. LEG 2 DIRECTION OF TRAFFIC NORTHBOUND LANE 1 OF 3

COUNT IDENTIFIER 14-003 COUNTER NUMBER 492295 DESCRIPTION: ON SR 205 NB COLL-DIST TO NE 112TH AVE/SR 500/SR 205 NB

12/01/14 MONDAY	AM HOURS	PM HOURS	AM TOTAL	PM TOTAL	DAILY TOTAL
00-15	1	1	1	1	2
15-30	2	2	2	2	4
30-45	3	3	3	3	6
45-00	4	4	4	4	8
TOT	12	12	237	237	474

12/02/14 TUESDAY	AM HOURS	PM HOURS	AM TOTAL	PM TOTAL	DAILY TOTAL
00-15	1	1	1	1	2
15-30	2	2	2	2	4
30-45	3	3	3	3	6
45-00	4	4	4	4	8
TOT	12	12	237	237	474

12/03/14 WEDNESDAY	AM HOURS	PM HOURS	AM TOTAL	PM TOTAL	DAILY TOTAL
00-15	1	1	1	1	2
15-30	2	2	2	2	4
30-45	3	3	3	3	6
45-00	4	4	4	4	8
TOT	12	12	292	292	584

AM PEAK HOUR 1030 TO 1130 VOLUME 292 AM TOTAL 1573
 PM PEAK HOUR 0315 TO 0415 VOLUME 325 PM TOTAL 3903

SR 205 C103005 MP 000.00 OFF SYSTEM 10. LEG 2 DIRECTION OF TRAFFIC NORTHBOUND LANE 1 OF 3

COUNT IDENTIFIER 14-003 COUNTER NUMBER 492295 DESCRIPTION: ON SR 205 NB COLL-DIST TO NE 112TH AVE/SR 500/SR 205 NB

12/04/14 THURSDAY	AM HOURS	PM HOURS	DAILY TOTAL
00-15	12	1	13
15-30	1	2	3
30-45	2	3	5
45-00	3	4	7
TOT	12	10	22

AM PEAK HOUR 1100 TO 1200 VOLUME 313 AM TOTAL 1645
 PM PEAK HOUR 0515 TO 0615 VOLUME 486 PM TOTAL 3900

12/05/14 FRIDAY

AM HOURS	PM HOURS	DAILY TOTAL
00-15	1	1
15-30	2	3
30-45	3	5
45-00	4	7
TOT	12	22

AM PEAK HOUR 0745 TO 0845 VOLUME 271 AM TOTAL 1388
 PM PEAK HOUR 0000 TO 0000 VOLUME 0 PM TOTAL 0

1388

SR 205 C103005 MP 000.00 OFF SYSTEM ID. LEG 2 DIRECTION OF TRAFFIC NORTHBOUND LANE 2 OF 3
 COUNT IDENTIFIER 14-003 COUNTER NUMBER 492295 DESCRIPTION: ON SR 205 NB COLL-DIST TO NE 112TH AVE/SR 500/SR 205 NB

12/01/14 MONDAY

AM HOURS	PM HOURS	DAILY TOTAL
00-15		
15-30		
30-45		
45-00		
HOUR		
TOT		

12/02/14 TUESDAY

AM HOURS	PM HOURS	DAILY TOTAL
00-15		
15-30		
30-45		
45-00		
HOUR		
TOT		

12/03/14 WEDNESDAY

AM HOURS	PM HOURS	DAILY TOTAL
00-15		
15-30		
30-45		
45-00		
HOUR		
TOT		

AM PEAK HOUR 0645 TO 0745 VOLUME 475
 PM PEAK HOUR 0300 TO 0400 VOLUME 981
 AM PEAK HOUR 1030 TO 1130 VOLUME 473
 PM PEAK HOUR 0500 TO 0600 VOLUME 959

DOT-RN8515A-B

STATE OF WASHINGTON - DEPARTMENT OF TRANSPORTATION
TRIP SYSTEM
15 MINUTE TRAFFIC COUNT SUMMARY

DATE 12/12/14
TIME 09:40:21
PAGE 106

LANE 2 OF 3

SR 205 C103005 MP 000.00 OFF SYSTEM ID. LEG 2 DIRECTION OF TRAFFIC NORTHBOUND

COUNT IDENTIFIER	14-003	COUNTER NUMBER	492295	DESCRIPTION:	ON SR 205 NB COLL-DIST TO NE 112TH AVE/SR 500/SR 205 NB																				
12/04/14 THURSDAY																									
	12			AM HOURS	PM HOURS																				
	1			1	1																				
	2			2	2																				
	3			3	3																				
	4			4	4																				
	5			5	5																				
	6			6	6																				
	7			7	7																				
	8			8	8																				
	9			9	9																				
	10			10	10																				
	11			11	11																				
	12			12	12																				
				TOTAL	TOTAL																				
TOT	146	78	58	47	62	135	307	396	404	430	434	451	536	607	667	882	858	872	839	673	414	430	304	242	10272

AM PEAK HOUR 0830 TO 0930 VOLUME 457
PM PEAK HOUR 0330 TO 0430 VOLUME 930

AM TOTAL 2948
PM TOTAL 7324

12/05/14 FRIDAY	AM HOURS	PM HOURS	AM PEAK HOUR 0715 TO 0815 VOLUME	PM PEAK HOUR 0000 TO 0000 VOLUME	AM TOTAL	PM TOTAL	DAILY TOTAL						
12	1	2	3	4	5	6	7	8	9	10	11	12	TOTAL
1	2	3	4	5	6	7	8	9	10	11	12	TOTAL	2646
35	32	15	11	12	24	43	105	106	109	113			
41	21	19	10	14	21	46	124	111	120	109			
19	16	17	13	15	35	87	123	98	109	115			
30	26	11	11	21	47	115	119	120	130	128			
TOT	125	95	62	45	62	127	291	471	435	468	465		

AM PEAK HOUR 0715 TO 0815 VOLUME 472
PM PEAK HOUR 0000 TO 0000 VOLUME 0

AM TOTAL 2646
PM TOTAL 0

SR 205 C103005 MP 000.00 OFF SYSTEM ID. LEG 2 DIRECTION OF TRAFFIC NORTHBOUND LANE 3 OF 3

COUNT IDENTIFIER 14-003 COUNTER NUMBER 498697 * DESCRIPTION: ON SR 205 NB COLL-DIST TO NE 112TH AVE/SR 500/SR 205 NB

12/01/14 MONDAY

AM HOURS	PM HOURS	TOTAL
00-15	12	12
15-30	1	1
30-45	2	2
45-00	3	3
TOT	113	113

AM PEAK HOUR 1100 TO 1200 VOLUME 744
 PM PEAK HOUR 0345 TO 0445 VOLUME 1179

AM TOTAL 744
 PM TOTAL 818
 DAILY TOTAL 1562

12/02/14 TUESDAY

AM HOURS	PM HOURS	TOTAL
00-15	12	12
15-30	1	1
30-45	2	2
45-00	3	3
TOT	120	120

AM PEAK HOUR 1100 TO 1200 VOLUME 765
 PM PEAK HOUR 0345 TO 0445 VOLUME 1170

AM TOTAL 765
 PM TOTAL 8905
 DAILY TOTAL 9670

12/03/14 WEDNESDAY

AM HOURS	PM HOURS	TOTAL
00-15	12	12
15-30	1	1
30-45	2	2
45-00	3	3
TOT	113	113

AM PEAK HOUR 1100 TO 1200 VOLUME 850
 PM PEAK HOUR 0400 TO 0500 VOLUME 1109

AM TOTAL 850
 PM TOTAL 1109
 DAILY TOTAL 1959

SR 205 C103005 MP 000.00 OFF SYSTEM ID. LEG 2 DIRECTION OF TRAFFIC NORTHBOUND LANE 3 OF 3

COUNT IDENTIFIER 14-003 COUNTER NUMBER 498697 * DESCRIPTION: ON SR 205 NB COLL-DIST TO NE 112TH AVE/SR 500/SR 205 NB

12/04/14 THURSDAY	AM HOURS												PM HOURS												DAILY TOTAL
	1	2	3	4	5	6	7	8	9	10	11	12	1	2	3	4	5	6	7	8	9	10	11	12	
TOT	118	66	50	36	73	155	396	549	705	702	699	788	774	848	920	948	1009	1029	967	794	483	421	337	209	13076
AM PEAK HOUR 0345 TO 0445 VOLUME	789												1057												
PM PEAK HOUR 0345 TO 0445 VOLUME	789												1057												
AM TOTAL	4337												8739												
PM TOTAL	8739												8739												

12/05/14 FRIDAY	AM HOURS												PM HOURS												DAILY TOTAL
	1	2	3	4	5	6	7	8	9	10	11	12	1	2	3	4	5	6	7	8	9	10	11	12	
TOT	133	64	55	37	74	146	389	654	697	736	564														3549
AM PEAK HOUR 0930 TO 1030 VOLUME	774												0												
PM PEAK HOUR 0000 TO 0000 VOLUME	0												0												
AM TOTAL	3549												0												
PM TOTAL	0												0												

SR 205 C103005 MP 000.00 OFF SYSTEM ID. LEG 2 DIRECTION OF TRAFFIC NORTHBOUND LANE 123 OF 3
 COUNT IDENTIFIER 14-003 COUNTER NUMBER 498697 * DESCRIPTION: ON SR 205 NB COLL-DIST TO NE 112TH AVE/SR 500/SR 205 NB

12/01/14 MONDAY

AM HOURS	PM HOURS	DAILY TOTAL
00-15	12	12
15-30	1	1
30-45	2	2
45-00	3	3
TOT	1476	1476

AM PEAK HOUR 1100 TO 1200 VOLUME 1476
 PM PEAK HOUR 0315 TO 0415 VOLUME 2703

12/02/14 TUESDAY

AM HOURS	PM HOURS	DAILY TOTAL
00-15	12	12
15-30	1	1
30-45	2	2
45-00	3	3
TOT	1476	1476

AM PEAK HOUR 1100 TO 1200 VOLUME 1488
 PM PEAK HOUR 0345 TO 0445 VOLUME 2642

12/03/14 WEDNESDAY

AM HOURS	PM HOURS	DAILY TOTAL
00-15	12	12
15-30	1	1
30-45	2	2
45-00	3	3
TOT	1476	1476

AM PEAK HOUR 1100 TO 1200 VOLUME 1589
 PM PEAK HOUR 0500 TO 0600 VOLUME 2519

Ru

Interval 60 min. 15 min.
 Binned(CL/SP) Count(volume)
Lane No 1 2

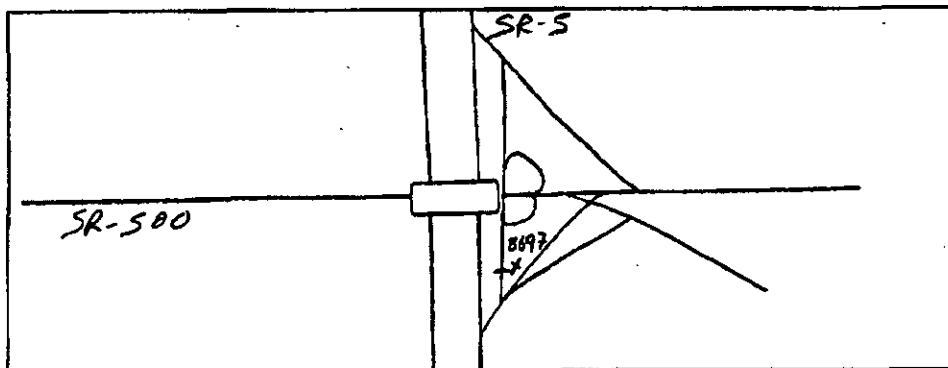
Direction Channel 1 _____
Direction Channel 2 _____
Unique ID# _____

Counter No. 498697 Count ID 14-003
SR 205 RRT/RRQ CI 03005 MP ~~0.84~~ 0.55
Leg 2 Direction NB OSID _____

Station Description ON SR 205 NB COLL-DIST TO SR 500 WB/SR 205 NB

Date	Day	Time	Comments
12/1/14	2	1050	Manual (1) <u>1</u> (2) _____ Counter (1) <u>1</u> (2) _____ SET COUNTER OK DB/BJ
12/2	3	1105	Manual (1) <u>50</u> (2) _____ Counter (1) <u>50</u> (2) _____ CHECK COUNTER OK
12/3	4	1041	Manual (1) <u>50</u> (2) _____ Counter (1) <u>50</u> (2) _____ CHECK COUNTER OK
12/4	5	1036	Manual (1) <u>50</u> (2) _____ Counter (1) <u>50</u> (2) _____ CHECK COUNTERS OK
12/5	6	1058	Manual (1) <u>1</u> (2) _____ Counter (1) <u>1</u> (2) _____ P/U COUNTER OK DB/BJ

Sketch



DB/BJ
Field Person

SR 205 C103005 MP 000.55 OFF SYSTEM ID. LEG 2 DIRECTION OF TRAFFIC NORTHBOUND LANE ALL OF

COUNT IDENTIFIER 14-003 COUNTER NUMBER 498697 DESCRIPTION: ON SR 205 NB COLL-DIST TO SR 500 WB/SR 205 NB

12/01/14 MONDAY

AM HOURS	PM HOURS	TOTAL
00-15	12	12
15-30	1	1
30-45	2	2
45-00	3	3
TOT	744	813

AM PEAK HOUR 1100 TO 1200 VOLUME 744
 PM PEAK HOUR 0345 TO 0445 VOLUME 1179

12/02/14 TUESDAY

AM HOURS	PM HOURS	TOTAL
00-15	12	12
15-30	1	1
30-45	2	2
45-00	3	3
TOT	66	120

AM PEAK HOUR 1100 TO 1200 VOLUME 685
 PM PEAK HOUR 0345 TO 0445 VOLUME 1170

12/03/14 WEDNESDAY

AM HOURS	PM HOURS	TOTAL
00-15	12	12
15-30	1	1
30-45	2	2
45-00	3	3
TOT	78	113

AM PEAK HOUR 1100 TO 1200 VOLUME 675
 PM PEAK HOUR 0400 TO 0500 VOLUME 1109

AM TOTAL 4405
 PM TOTAL 9002
 DAILY TOTAL 13407

DOT-RN8515A-8

STATE OF WASHINGTON - DEPARTMENT OF TRANSPORTATION
TRIP SYSTEM
15 MINUTE TRAFFIC COUNT SUMMARY

DATE 12/12/14
TIME 09:40:21
PAGE 112

SR 205 C103005 MP 000.55 OFF SYSTEM ID. LEG 2 DIRECTION OF TRAFFIC NORTHBOUND LANE ALL OF

COUNT IDENTIFIER	14-003	COUNTER NUMBER	498697	DESCRIPTION:	ON SR 205 NB COLL-DIST TO SR 500 WB/SR 205 NB
12/04/14 THURSDAY					
	12	1	2	3	4
	1	2	3	4	5
	2	3	4	5	6
	3	4	5	6	7
	4	5	6	7	8
	5	6	7	8	9
	6	7	8	9	10
	7	8	9	10	11
	8	9	10	11	12
	9	10	11	12	TOTAL
00-15	31	15	17	9	7
15-30	27	17	8	11	131
30-45	34	24	17	9	117
45-00	26	10	8	10	116
HOUR	118	66	50	36	73
					155
					396
					549
					705
					702
					699
					788
					774
					848
					920
					948
					1009
					1029
					967
					794
					483
					421
					337
					209
					13076

AM PEAK HOUR 1045 TO 1145 VOLUME 789
PM PEAK HOUR 0345 TO 0445 VOLUME 1057

AM TOTAL 4337
PM TOTAL 8739

12/05/14 FRIDAY	1	2	3	4	5	6	7	8	9	10	11	12	DAILY TOTAL
00-15	43	19	13	11	9	27	57	122	185	169	186		
15-30	39	18	8	7	10	18	93	167	163	177	198		
30-45	24	12	23	10	29	44	117	147	167	182	180		
45-00	27	15	11	9	26	57	122	218	182	208			
HOUR	133	64	55	37	74	146	389	654	697	736	564		3549

AM PEAK HOUR 0930 TO 1030 VOLUME 774
PM PEAK HOUR 0000 TO 0000 VOLUME 0

AM TOTAL 3549
PM TOTAL 0

12/01/14 THRU 12/05/14
TOTAL HOURS FOR COUNT 94

3 DAYS
AVG WEEKDAY VOL 13245 X SEASONAL ADJ. FACTOR 1.0100 = 13377 X AXLE CORR FACTOR 0.9370 = ESTIMATED AVG DAILY TRAFFIC 12534
PEAK HOUR PERCENTAGES: K = 8.90 D = 100.00
PEAK HOUR LOCATION : VOLUME = 1179 DATE: 12/01/14 TIME: 03:15 PM



Washington State
Department of Transportation

Ru

Diamond Traffic Counter

Interval 60 min. 15 min.
 Binned(CL/SP) Count(volume)
 Lane No 1 2

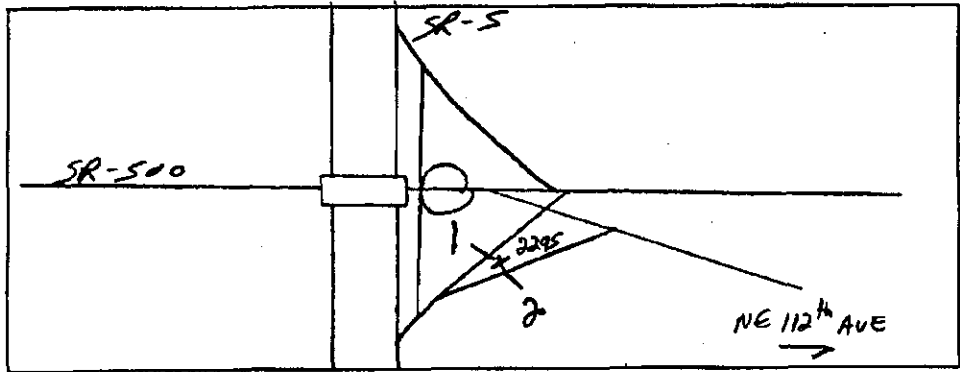
Direction Channel 1 P1 03060 NB 20F2
 Direction Channel 2 P2 03060 NB 10F2
 Unique ID# _____

Counter No. 492295 Count ID 14-003
 SR 205 RRT/RRQ P1 03060 MP 0.00
 Leg 2 Direction See 1.2 OSID _____

Station Description ON SR 205 NB OFF RAMP TO NE 112TH AVE / SR 500 EB

Date	Day	Time	Comments
12/1/14	2	1056	Manual (1) 1 (2) 1 Counter (1) 1 (2) 1 SET COUNTER OK DB/BJ
12/2	3	1111	Manual (1) 38 (2) 39 Counter (1) 38 (2) 39 CHECK COUNTER OK
12/3	4	1046	Manual (1) 43 (2) 25 Counter (1) 43 (2) 25 CHECK COUNTER OK
12/4	5	1043	Manual (1) 37 (2) 28 Counter (1) 37 (2) 28 CHECK COUNTERS OK
12/5	6	1102	Manual (1) 1 (2) 1 Counter (1) 1 (2) 1 P/U COUNTER OK DB/BJ

Sketch



DB/BJ
Field Person

12/01/14 MONDAY

AM HOURS	PM HOURS	DAILY TOTAL
00-15	12	12
15-30	1	1
30-45	2	2
45-00	3	3
TOT	12	12

AM PEAK HOUR 1100 TO 1200 VOLUME 237
 PM PEAK HOUR 0500 TO 0600 VOLUME 536

12/02/14 TUESDAY

AM HOURS	PM HOURS	DAILY TOTAL
00-15	12	12
15-30	1	1
30-45	2	2
45-00	3	3
TOT	12	12

AM PEAK HOUR 1100 TO 1200 VOLUME 290
 PM PEAK HOUR 0315 TO 0415 VOLUME 556

12/03/14 WEDNESDAY

AM HOURS	PM HOURS	DAILY TOTAL
00-15	12	12
15-30	1	1
30-45	2	2
45-00	3	3
TOT	12	12

AM PEAK HOUR 1030 TO 1130 VOLUME 292
 PM PEAK HOUR 0315 TO 0415 VOLUME 525

SR 205 P103060 MP 000.00 OFF SYSTEM ID. LEG 2 DIRECTION OF TRAFFIC NORTHBOUND LANE 1 OF 2

COUNT IDENTIFIER 14-003 COUNTER NUMBER 492295 DESCRIPTION: ON SR 205 NB OFF RAMP TO NE 112TH AVE/SR 500 EB

12/04/14 THURSDAY		AM HOURS												PM HOURS												DAILY TOTAL	
1	2	3	4	5	6	7	8	9	10	11	12	1	2	3	4	5	6	7	8	9	10	11	12	TOTAL			
12	1	2	3	4	5	6	7	8	9	10	11	12	1	2	3	4	5	6	7	8	9	10	11	12	1388		
00-15	27	14	7	11	11	24	30	60	80	48	75	67	68	95	124	141	101	107	110	53	53	38	30	30			
15-30	19	10	5	6	3	44	44	45	45	57	85	79	77	91	122	132	132	128	85	60	40	28	28				
30-45	16	10	6	5	7	29	47	62	55	66	65	87	78	99	101	103	110	95	106	57	54	46	19				
45-00	17	9	7	3	11	25	41	75	70	56	88	80	75	102	101	117	137	103	67	57	42	32	25				
TOT	79	43	25	25	67	138	185	271	250	227	313	313	298	387	448	483	480	433	368	227	205	156	102	5545			
								AM PEAK HOUR 1100 TO 1200 VOLUME													AM TOTAL			1665			
								PM PEAK HOUR 0515 TO 0615 VOLUME													PM TOTAL			3900			

12/05/14 FRIDAY

12/05/14 FRIDAY		AM HOURS												PM HOURS												DAILY TOTAL	
1	2	3	4	5	6	7	8	9	10	11	12	1	2	3	4	5	6	7	8	9	10	11	12	TOTAL			
12	1	2	3	4	5	6	7	8	9	10	11	12	1	2	3	4	5	6	7	8	9	10	11	12	1388		
00-15	22	13	4	2	8	10	26	41	65	62	59																
15-30	21	9	8	8	9	39	51	55	58	67																	
30-45	14	9	10	4	10	23	26	66	75	61	68																
45-00	8	14	5	5	8	17	51	52	56	75																	
TOT	65	45	27	19	35	68	142	234	247	237	269													1388			
								AM PEAK HOUR 0745 TO 0845 VOLUME													AM TOTAL			1388			
								PM PEAK HOUR 0000 TO 0000 VOLUME													PM TOTAL			0			

DOT-RB515A-B

STATE OF WASHINGTON - DEPARTMENT OF TRANSPORTATION
TRIPSSYSTEM
15 MINUTE TRAFFIC COUNT SUMMARY

DATE 12/12/14
TIME 09:40:21
PAGE 115

SR 205 P103060 MP 000.00 OFF SYSTEM ID. LEG 2 DIRECTION OF TRAFFIC NORTHBOUND LANE 2 OF 2

COUNT IDENTIFIER 14-003 COUNTER NUMBER 492295 DESCRIPTION: ON SR 205 NB OFF RAMP TO NE 112TH AVE/SR 500 EB

12/01/14 MONDAY	AM HOURS												PM HOURS												DAILY TOTAL	
	1	2	3	4	5	6	7	8	9	10	11	12	1	2	3	4	5	6	7	8	9	10	11	12		
00-15	12	1	2	3	4	5	6	7	8	9	10	11	12	1	2	3	4	5	6	7	8	9	10	11	12	75
15-30	1	2	3	4	5	6	7	8	9	10	11	12	1	2	3	4	5	6	7	8	9	10	11	12	56	
30-45	1	2	3	4	5	6	7	8	9	10	11	12	1	2	3	4	5	6	7	8	9	10	11	12	57	
45-00	1	2	3	4	5	6	7	8	9	10	11	12	1	2	3	4	5	6	7	8	9	10	11	12	35	
HOUR	1	2	3	4	5	6	7	8	9	10	11	12	1	2	3	4	5	6	7	8	9	10	11	12	52	
TOT	495	531	565	721	973	956	927	802	521	392	360	257	203	7703												

AM PEAK HOUR 1100 TO 1200 VOLUME 495
PM PEAK HOUR 0315 TO 0415 VOLUME 991

AM TOTAL 495
PM TOTAL 7208

12/02/14 TUESDAY	AM HOURS												PM HOURS												DAILY TOTAL	
	1	2	3	4	5	6	7	8	9	10	11	12	1	2	3	4	5	6	7	8	9	10	11	12		
00-15	12	1	2	3	4	5	6	7	8	9	10	11	12	1	2	3	4	5	6	7	8	9	10	11	12	67
15-30	1	2	3	4	5	6	7	8	9	10	11	12	1	2	3	4	5	6	7	8	9	10	11	12	61	
30-45	1	2	3	4	5	6	7	8	9	10	11	12	1	2	3	4	5	6	7	8	9	10	11	12	47	
45-00	1	2	3	4	5	6	7	8	9	10	11	12	1	2	3	4	5	6	7	8	9	10	11	12	42	
HOUR	1	2	3	4	5	6	7	8	9	10	11	12	1	2	3	4	5	6	7	8	9	10	11	12	54	
TOT	107	70	68	52	49	133	303	473	383	397	441	433	529	588	781	981	922	841	828	636	407	355	253	211	10241	

AM PEAK HOUR 0645 TO 0745 VOLUME 475
PM PEAK HOUR 0300 TO 0400 VOLUME 981

AM TOTAL 2909
PM TOTAL 7332

12/03/14 WEDNESDAY	AM HOURS												PM HOURS												DAILY TOTAL	
	1	2	3	4	5	6	7	8	9	10	11	12	1	2	3	4	5	6	7	8	9	10	11	12		
00-15	12	1	2	3	4	5	6	7	8	9	10	11	12	1	2	3	4	5	6	7	8	9	10 <td>11<td>12</td> <td>48</td> </td>	11 <td>12</td> <td>48</td>	12	48
15-30	1	2	3	4	5	6	7	8	9	10	11	12	1	2	3	4	5	6	7	8	9	10 <td>11<td>12</td> <td>51</td> </td>	11 <td>12</td> <td>51</td>	12	51	
30-45	1	2	3	4	5	6	7	8	9	10	11	12	1	2	3	4	5	6	7	8	9	10 <td>11<td>12</td> <td>47</td> </td>	11 <td>12</td> <td>47</td>	12	47	
45-00	1	2	3	4	5	6	7	8	9	10	11	12	1	2	3	4	5	6	7	8	9	10 <td>11<td>12</td> <td>48</td> </td>	11 <td>12</td> <td>48</td>	12	48	
HOUR	1	2	3	4	5	6	7	8	9	10	11	12	1	2	3	4	5	6	7	8	9	10 <td>11<td>12</td> <td>67</td> </td>	11 <td>12</td> <td>67</td>	12	67	
TOT	139	71	67	54	61	133	312	438	413	445	412	460	530	630	789	933	876	959	830	556	434	431	258	194	10425	

AM PEAK HOUR 1030 TO 1130 VOLUME 473
PM PEAK HOUR 0500 TO 0600 VOLUME 959

AM TOTAL 3005
PM TOTAL 7420

SR 205 P103060 MP 000.00 OFF SYSTEM ID. LEG 2 DIRECTION OF TRAFFIC NORTHBOUND LANE 2 OF 2

COUNT IDENTIFIER 14-003 COUNTER NUMBER 492295 DESCRIPTION: ON SR 205 NB OFF RAMP TO NE 112TH AVE/SR 500 EB

12/04/14 THURSDAY	AM HOURS												PM HOURS					DAILY TOTAL						
	1	2	3	4	5	6	7	8	9	10	11	12	1	2	3	4	5		6	7	8	9	10	11
00-15	36	17	10	17	11	23	49	95	77	125	103	93	131	139	157	176	219	237	210	175	115	106	91	66
15-30	48	25	14	7	6	21	63	118	92	97	109	98	129	164	153	222	227	201	212	182	106	121	84	68
30-45	38	19	19	9	20	35	76	88	103	80	109	127	120	136	173	239	202	207	212	159	79	112	67	51
45-00	24	17	15	14	25	56	119	95	132	128	113	133	156	168	184	245	210	227	205	157	114	91	62	57
TOT	146	78	58	47	62	135	307	396	404	430	434	451	536	607	667	882	858	872	839	673	414	430	304	242
									AM PEAK HOUR 0830 TO 0930 VOLUME	457												AM TOTAL	2948	
									PM PEAK HOUR 0330 TO 0430 VOLUME	930												PM TOTAL	7324	

12/05/14 FRIDAY	AM HOURS												PM HOURS					DAILY TOTAL							
	1	2	3	4	5	6	7	8	9	10	11	12	1	2	3	4	5		6	7	8	9	10	11	12
00-15	35	32	15	11	12	24	43	105	106	109	113														
15-30	41	21	19	10	14	21	46	124	111	120	109														
30-45	19	16	17	13	15	35	87	123	98	109	115														
45-00	30	26	11	11	21	47	115	119	120	130	128														
TOT	125	95	62	45	62	127	291	471	435	468	465														
									AM PEAK HOUR 0715 TO 0815 VOLUME	472													AM TOTAL	2646	
									PM PEAK HOUR 0000 TO 0000 VOLUME	0													PM TOTAL	0	

2646

12/01/14 MONDAY

AM HOURS	PM HOURS	DAILY TOTAL
00-15		
15-30		
30-45		
45-00		
TOT		

AM PEAK HOUR 1100 TO 1200 VOLUME 732
 PM PEAK HOUR 0315 TO 0415 VOLUME 1524

12/02/14 TUESDAY

AM HOURS	PM HOURS	DAILY TOTAL
00-15		
15-30		
30-45		
45-00		
TOT		

AM PEAK HOUR 1100 TO 1200 VOLUME 723
 PM PEAK HOUR 0315 TO 0415 VOLUME 1530

12/03/14 WEDNESDAY

AM HOURS	PM HOURS	DAILY TOTAL
00-15		
15-30		
30-45		
45-00		
TOT		

AM PEAK HOUR 1030 TO 1130 VOLUME 765
 PM PEAK HOUR 0500 TO 0600 VOLUME 1465

12/04/14 THURSDAY

AM HOURS	PM HOURS	DAILY TOTAL
00-15		
15-30		
30-45		
45-00		
TOT		

AM PEAK HOUR 1030 TO 1130 VOLUME 765
 PM PEAK HOUR 0500 TO 0600 VOLUME 1465

DOT-RNB515A-B

STATE OF WASHINGTON - DEPARTMENT OF TRANSPORTATION
TRIP SYSTEM
15 MINUTE TRAFFIC COUNT SUMMARY

DATE 12/12/14
TIME 09:40:21
PAGE 118

SR 205 P103060 MP 000.00 OFF SYSTEM ID. LEG 2 DIRECTION OF TRAFFIC NORTHBOUND LANE 12 OF 2
COUNT IDENTIFIER 14-003 COUNTER NUMBER 492295 DESCRIPTION: ON SR 205 NB OFF RAMP TO NE 112TH AVE/SR 500 EB

12/04/14 THURSDAY		AM HOURS		PM HOURS		DAILY TOTAL																			
COUNT	PERCENTAGE	COUNT	PERCENTAGE	COUNT	PERCENTAGE	COUNT	PERCENTAGE																		
12	1.0	12	1.0	12	1.0	24	1.0																		
1	0.1	1	0.1	1	0.1	2	0.1																		
2	0.2	2	0.2	2	0.2	4	0.2																		
3	0.3	3	0.3	3	0.3	6	0.3																		
4	0.4	4	0.4	4	0.4	8	0.4																		
5	0.5	5	0.5	5	0.5	10	0.5																		
6	0.6	6	0.6	6	0.6	12	0.6																		
7	0.7	7	0.7	7	0.7	14	0.7																		
8	0.8	8	0.8	8	0.8	16	0.8																		
9	0.9	9	0.9	9	0.9	18	0.9																		
10	1.0	10	1.0	10	1.0	20	1.0																		
11	1.1	11	1.1	11	1.1	22	1.1																		
12	1.2	12	1.2	12	1.2	24	1.2																		
1	0.1	1	0.1	1	0.1	2	0.1																		
2	0.2	2	0.2	2	0.2	4	0.2																		
3	0.3	3	0.3	3	0.3	6	0.3																		
4	0.4	4	0.4	4	0.4	8	0.4																		
5	0.5	5	0.5	5	0.5	10	0.5																		
6	0.6	6	0.6	6	0.6	12	0.6																		
7	0.7	7	0.7	7	0.7	14	0.7																		
8	0.8	8	0.8	8	0.8	16	0.8																		
9	0.9	9	0.9	9	0.9	18	0.9																		
10	1.0	10	1.0	10	1.0	20	1.0																		
11	1.1	11	1.1	11	1.1	22	1.1																		
12	1.2	12	1.2	12	1.2	24	1.2																		
1	0.1	1	0.1	1	0.1	2	0.1																		
2	0.2	2	0.2	2	0.2	4	0.2																		
3	0.3	3	0.3	3	0.3	6	0.3																		
4	0.4	4	0.4	4	0.4	8	0.4																		
5	0.5	5	0.5	5	0.5	10	0.5																		
6	0.6	6	0.6	6	0.6	12	0.6																		
7	0.7	7	0.7	7	0.7	14	0.7																		
8	0.8	8	0.8	8	0.8	16	0.8																		
9	0.9	9	0.9	9	0.9	18	0.9																		
10	1.0	10	1.0	10	1.0	20	1.0																		
11	1.1	11	1.1	11	1.1	22	1.1																		
12	1.2	12	1.2	12	1.2	24	1.2																		
TOT	225	121	83	72	84	202	445	581	675	680	661	764	849	905	1054	1330	1341	1352	1272	1041	641	635	460	344	15817

AM PEAK HOUR 1100 TO 1200 VOLUME 764
PM PEAK HOUR 0330 TO 0430 VOLUME 1395

AM TOTAL 4593
PM TOTAL 11224

12/05/14 FRIDAY		AM HOURS		PM HOURS		DAILY TOTAL																				
COUNT	PERCENTAGE	COUNT	PERCENTAGE	COUNT	PERCENTAGE	COUNT	PERCENTAGE																			
12	1.0	12	1.0	12	1.0	24	1.0																			
1	0.1	1	0.1	1	0.1	2	0.1																			
2	0.2	2	0.2	2	0.2	4	0.2																			
3	0.3	3	0.3	3	0.3	6	0.3																			
4	0.4	4	0.4	4	0.4	8	0.4																			
5	0.5	5	0.5	5	0.5	10	0.5																			
6	0.6	6	0.6	6	0.6	12	0.6																			
7	0.7	7	0.7	7	0.7	14	0.7																			
8	0.8	8	0.8	8	0.8	16	0.8																			
9	0.9	9	0.9	9	0.9	18	0.9																			
10	1.0	10	1.0	10	1.0	20	1.0																			
11	1.1	11	1.1	11	1.1	22	1.1																			
12	1.2	12	1.2	12	1.2	24	1.2																			
1	0.1	1	0.1	1	0.1	2	0.1																			
2	0.2	2	0.2	2	0.2	4	0.2																			
3	0.3	3	0.3	3	0.3	6	0.3																			
4	0.4	4	0.4	4	0.4	8	0.4																			
5	0.5	5	0.5	5	0.5	10	0.5																			
6	0.6	6	0.6	6	0.6	12	0.6																			
7	0.7	7	0.7	7	0.7	14	0.7																			
8	0.8	8	0.8	8	0.8	16	0.8																			
9	0.9	9	0.9	9	0.9	18	0.9																			
10	1.0	10	1.0	10	1.0	20	1.0																			
11	1.1	11	1.1	11	1.1	22	1.1																			
12	1.2	12	1.2	12	1.2	24	1.2																			
TOT	190	140	89	64	97	195	433	705	682	705	734	734	734	734	734	734	734	734	734	734	734	734	734	734	734	4034

AM PEAK HOUR 1000 TO 1100 VOLUME 734
PM PEAK HOUR 0000 TO 0000 VOLUME 0

AM TOTAL 4034
PM TOTAL 0

12/01/14 THRU 12/05/14 TOTAL HOURS FOR COUNT 95

3 DAYS AVG WEEKDAY VOL 15780 X SEASONAL ADJ. FACTOR 1.0100 = 15938 X AXLE CORR FACTOR 0.9370 = ESTIMATED AVG DAILY TRAFFIC 14934

PEAK HOUR PERCENTAGES: K = 9.70 D = 100.00
PEAK HOUR LOCATION : VOLUME = 1530 DATE: 12/02/14 TIME: 03:15 PM

FACTOR GROUP R051
FACTOR GROUP R051

Ru

Diamond Traffic Counter

Interval 60 min. 15 min.
 Binned(CL/SP) Count(volume)
Lane No 1 2

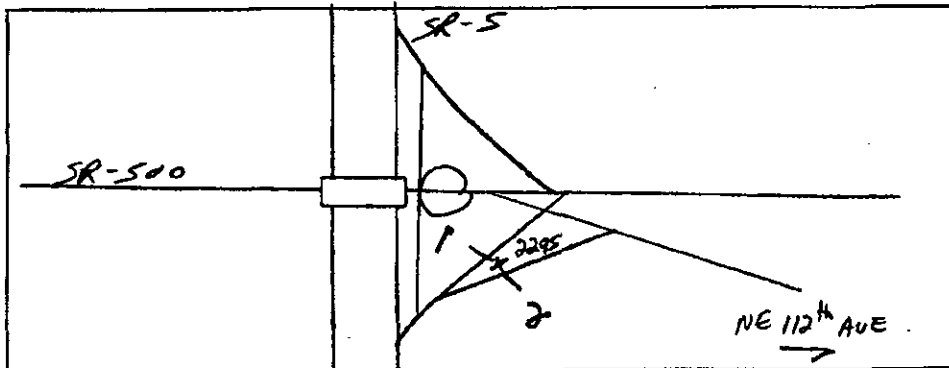
Direction Channel 1 P1 03060 NB
Direction Channel 2 ~~P2 03060~~ U
Unique ID# _____

Counter No. 492295 Count ID 14-003
SR 205 RRT/RRQ P1 03060 MP 0.15
Leg 2 Direction See 1,2 OSID _____

Station Description ON SR 205 NB OFF RAMP TO SR 500 EB

Date	Day	Time	Comments								
12/1/14	2	1056	<table style="border: none;"> <tr> <td>Manual (1)</td> <td>1</td> <td>(2)</td> <td>1</td> </tr> <tr> <td>Counter (1)</td> <td>1</td> <td>(2)</td> <td>1</td> </tr> </table> SET COUNTER OK DB/BJ	Manual (1)	1	(2)	1	Counter (1)	1	(2)	1
Manual (1)	1	(2)	1								
Counter (1)	1	(2)	1								
12/2	3	1111	<table style="border: none;"> <tr> <td>Manual (1)</td> <td>38</td> <td>(2)</td> <td>39</td> </tr> <tr> <td>Counter (1)</td> <td>38</td> <td>(2)</td> <td>39</td> </tr> </table> CHECK COUNTER OK	Manual (1)	38	(2)	39	Counter (1)	38	(2)	39
Manual (1)	38	(2)	39								
Counter (1)	38	(2)	39								
12/3	4	1046	<table style="border: none;"> <tr> <td>Manual (1)</td> <td>43</td> <td>(2)</td> <td>25</td> </tr> <tr> <td>Counter (1)</td> <td>43</td> <td>(2)</td> <td>25</td> </tr> </table> CHECK COUNTER OK	Manual (1)	43	(2)	25	Counter (1)	43	(2)	25
Manual (1)	43	(2)	25								
Counter (1)	43	(2)	25								
12/4	5	1043	<table style="border: none;"> <tr> <td>Manual (1)</td> <td>37</td> <td>(2)</td> <td>28</td> </tr> <tr> <td>Counter (1)</td> <td>37</td> <td>(2)</td> <td>28</td> </tr> </table> CHECK COUNTERS OK	Manual (1)	37	(2)	28	Counter (1)	37	(2)	28
Manual (1)	37	(2)	28								
Counter (1)	37	(2)	28								
12/5	6	1102	<table style="border: none;"> <tr> <td>Manual (1)</td> <td>1</td> <td>(2)</td> <td>1</td> </tr> <tr> <td>Counter (1)</td> <td>1</td> <td>(2)</td> <td>1</td> </tr> </table> P/U COUNTER OK DB/BJ	Manual (1)	1	(2)	1	Counter (1)	1	(2)	1
Manual (1)	1	(2)	1								
Counter (1)	1	(2)	1								

Sketch



DB/BJ
Field Person

DOT-RN6515A-B

STATE OF WASHINGTON - DEPARTMENT OF TRANSPORTATION
TRIP SYSTEM
15 MINUTE TRAFFIC COUNT SUMMARY

DATE 12/12/14
TIME 09:40:21
PAGE 119

SR 205 P103060 MP 000.15

OFF SYSTEM ID.

LEG 2

DIRECTION OF TRAFFIC NORTHBOUND

LANE ALL OF

COUNT IDENTIFIER 14-003

COUNTER NUMBER 492295

DESCRIPTION: ON SR 205 NB OFF RAMP TO SR 500 EB

12/01/14 MONDAY

AM HOURS

PM HOURS

00-15	12	1	2	3	4	5	6	7	8	9	10	11	12	TOTAL											
15-30	1	2	3	4	5	6	7	8	9	10	11	12	13												
30-45	1	2	3	4	5	6	7	8	9	10	11	12	13												
45-00	1	2	3	4	5	6	7	8	9	10	11	12	13												
HOUR	12	1	2	3	4	5	6	7	8	9	10	11	12	DAILY											
TOT	139	71	67	54	61	133	312	438	413	445	412	460	530	630	789	933	876	959	830	556	434	431	258	194	10425

AM PEAK HOUR 1100 TO 1200 VOLUME 495
PM PEAK HOUR 0315 TO 0415 VOLUME 991

AM TOTAL 495
PM TOTAL 7208

12/02/14 TUESDAY

AM HOURS

PM HOURS

00-15	12	1	2	3	4	5	6	7	8	9	10	11	12	TOTAL											
15-30	1	2	3	4	5	6	7	8	9	10	11	12	13												
30-45	1	2	3	4	5	6	7	8	9	10	11	12	13												
45-00	1	2	3	4	5	6	7	8	9	10	11	12	13												
HOUR	12	1	2	3	4	5	6	7	8	9	10	11	12	DAILY											
TOT	107	70	68	52	49	133	303	473	383	397	441	433	529	588	781	981	922	841	828	636	407	355	253	211	10241

AM PEAK HOUR 0645 TO 0745 VOLUME 475
PM PEAK HOUR 0300 TO 0400 VOLUME 981

AM TOTAL 475
PM TOTAL 7332

12/03/14 WEDNESDAY

AM HOURS

PM HOURS

00-15	12	1	2	3	4	5	6	7	8	9	10	11	12	TOTAL											
15-30	1	2	3	4	5	6	7	8	9	10	11	12	13												
30-45	1	2	3	4	5	6	7	8	9	10	11	12	13												
45-00	1	2	3	4	5	6	7	8	9	10	11	12	13												
HOUR	12	1	2	3	4	5	6	7	8	9	10	11	12	DAILY											
TOT	139	71	67	54	61	133	312	438	413	445	412	460	530	630	789	933	876	959	830	556	434	431	258	194	10425

AM PEAK HOUR 1030 TO 1130 VOLUME 473
PM PEAK HOUR 0500 TO 0600 VOLUME 959

AM TOTAL 473
PM TOTAL 7420

SR 205 P103060 MP 000.15 OFF SYSTEM ID. LEG 2 DIRECTION OF TRAFFIC NORTHBOUND LANE ALL OF
 COUNT IDENTIFIER 14-003 COUNTER NUMBER 492295 DESCRIPTION: ON SR 205 NB OFF RAMP TO SR 500 EB

12/04/14 THURSDAY		AM HOURS											PM HOURS											DAILY TOTAL			
TIME	COUNT	1	2	3	4	5	6	7	8	9	10	11	12	1	2	3	4	5	6	7	8	9	10	11	12	TOT	DAILY
00-15	36	17	10	17	11	23	49	95	77	125	103	93	131	139	157	176	219	237	210	175	115	106	91	91	66	66	66
15-30	48	25	14	7	6	21	63	118	92	97	109	98	129	164	153	222	227	201	212	182	106	121	84	67	68	68	68
30-45	38	19	19	9	20	35	76	88	103	80	109	127	120	136	173	239	202	207	212	159	79	112	67	51	51	51	51
45-00	24	17	15	14	25	56	119	95	132	128	113	135	156	168	184	245	210	227	205	157	114	91	62	57	57	57	57
TOT	146	78	58	47	62	135	307	396	404	430	434	451	536	607	667	882	858	872	839	673	414	430	304	242	242	242	10272
		AM PEAK HOUR 0830 TO 0930 VOLUME 457											PM PEAK HOUR 0330 TO 0430 VOLUME 930											AM TOTAL 2948			
		PM PEAK HOUR 0715 TO 0815 VOLUME 472											PM PEAK HOUR 0000 TO 0000 VOLUME 0											PM TOTAL 7324			

12/05/14 FRIDAY		AM HOURS											PM HOURS											DAILY TOTAL			
TIME	COUNT	1	2	3	4	5	6	7	8	9	10	11	12	1	2	3	4	5	6	7	8	9	10	11	12	TOT	DAILY
00-15	35	32	15	11	12	24	43	105	106	109	113																
15-30	41	21	19	10	14	21	46	124	111	120	109																
30-45	19	16	17	13	15	35	87	123	98	109	115																
45-00	30	26	11	11	21	47	115	119	120	130	128																
TOT	125	95	62	45	62	127	291	471	435	468	465																
		AM PEAK HOUR 0715 TO 0815 VOLUME 472											AM PEAK HOUR 0000 TO 0000 VOLUME 0											AM TOTAL 2646			
		PM PEAK HOUR 0000 TO 0000 VOLUME 0											PM PEAK HOUR 0000 TO 0000 VOLUME 0											PM TOTAL 0			

12/01/14 THRU 12/05/14 TOTAL HOURS FOR COUNT 95
 3 DAYS FACTOR GROUP R051
 AVG WEEKDAY VOL 10313 X SEASONAL ADJ. FACTOR 1.0100 = 10416 X AXLE CORR FACTOR 0.9370 = ESTIMATED AVG DAILY TRAFFIC 9760
 PEAK HOUR PERCENTAGES: K = 9.61 D = 100.00
 PEAK HOUR LOCATION : VOLUME = 991 DATE: 12/01/14 TIME: 03:15 PM



Washington State
Department of Transportation

Diamond Traffic Counter

Ru

Interval 60 min. 15 min.
 Binned(CL/SP) Count(volume)
 Lane No 1 2

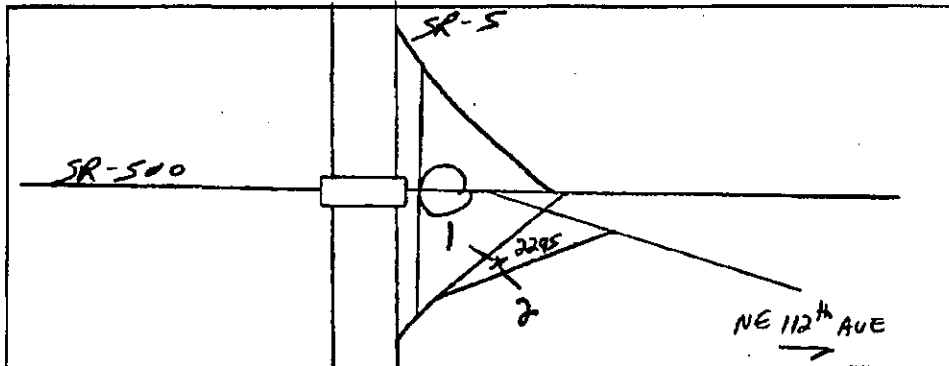
Direction Channel 1 P1 03060 U
 Direction Channel 2 P2 03060 NB
 Unique ID# _____

Counter No. 492295 Count ID 14-003
 SR 205 RRT/RRQ P2 03060 MP 0.00
 Leg 2 Direction See 1,2 OSID _____

Station Description ON SR 205 NB OFF RAMP TO NE 112TH AVE

Date	Day	Time	Comments
12/1/14	2	1056	Manual (1) <u>1</u> (2) <u>1</u> Counter (1) <u>1</u> (2) <u>1</u> SET COUNTER OK DB/BJ
12/2	3	1111	Manual (1) <u>38</u> (2) <u>39</u> Counter (1) <u>38</u> (2) <u>39</u> CHECK COUNTER OK
12/3	4	1046	Manual (1) <u>43</u> (2) <u>25</u> Counter (1) <u>43</u> (2) <u>25</u> CHECK COUNTER OK
12/4	5	1043	Manual (1) <u>37</u> (2) <u>28</u> Counter (1) <u>37</u> (2) <u>28</u> CHECK COUNTERS OK
12/5	6	1102	Manual (1) <u>1</u> (2) <u>1</u> Counter (1) <u>1</u> (2) <u>1</u> P/U COUNTER OK DB/BJ

Sketch



North

DB/BJ
Field Person

DOT-RNB515A-8

STATE OF WASHINGTON - DEPARTMENT OF TRANSPORTATION
TRIPSSYSTEM
15 MINUTE TRAFFIC COUNT SUMMARY

DATE 12/12/14
TIME 09:40:21
PAGE 121

SR 205 P203060 MP 000.00

OFF SYSTEM ID.

LEG 2

DIRECTION OF TRAFFIC NORTHBOUND

LANE ALL OF

COUNT IDENTIFIER 14-003

COUNTER NUMBER 492295

DESCRIPTION: ON SR 205 NB OFF RAMP TO NE 112TH AVE

12/01/14 MONDAY

AM HOURS	PM HOURS	TOTAL
00-15		
15-30		
30-45		
45-00		
HOUR		
TOT		

AM PEAK HOUR 1100 TO 1200 VOLUME 237
PM PEAK HOUR 0500 TO 0600 VOLUME 536

AM TOTAL 237
PM TOTAL 3847

12/02/14 TUESDAY

AM HOURS	PM HOURS	TOTAL
00-15		
15-30		
30-45		
45-00		
HOUR		
TOT		

AM PEAK HOUR 1100 TO 1200 VOLUME 290
PM PEAK HOUR 0315 TO 0415 VOLUME 556

AM TOTAL 1501
PM TOTAL 3881

12/03/14 WEDNESDAY

AM HOURS	PM HOURS	TOTAL
00-15		
15-30		
30-45		
45-00		
HOUR		
TOT		

AM PEAK HOUR 1030 TO 1130 VOLUME 292
PM PEAK HOUR 0315 TO 0415 VOLUME 525

AM TOTAL 1573
PM TOTAL 3903

DOT-RN8515A-B

STATE OF WASHINGTON - DEPARTMENT OF TRANSPORTATION
TRIP SUMMARY
15 MINUTE TRAFFIC COUNT SUMMARY

DATE 12/12/14
TIME 09:40:21
PAGE 122

SR 205 P203060 MP 000.00 OFF SYSTEM ID. LEG 2 DIRECTION OF TRAFFIC NORTHBOUND LANE ALL OF
COUNT IDENTIFIER 14-003 COUNTER NUMBER 492295 DESCRIPTION: ON SR 205 NB OFF RAMP TO NE 112TH AVE

12/04/14 THURSDAY	AM HOURS												PM HOURS												DAILY TOTAL	
	1	2	3	4	5	6	7	8	9	10	11	12	1	2	3	4	5	6	7	8	9	10	11	12		
00-15	12	1	2	3	4	5	6	7	8	9	10	11	12	1	2	3	4	5	6	7	8	9	10	11	12	1388
15-30	1	2	3	4	5	6	7	8	9	10	11	12	1	2	3	4	5	6	7	8	9	10	11	12	0	
30-45	1	2	3	4	5	6	7	8	9	10	11	12	1	2	3	4	5	6	7	8	9	10	11	12	0	
45-00	1	2	3	4	5	6	7	8	9	10	11	12	1	2	3	4	5	6	7	8	9	10	11	12	0	
TOT	79	43	25	25	22	67	138	185	271	250	227	313	313	298	387	448	483	480	433	368	227	205	156	102	5545	
									AM PEAK HOUR 1100 TO 1200 VOLUME																AM TOTAL 1645	
									PM PEAK HOUR 0515 TO 0615 VOLUME																PM TOTAL 3900	

12/05/14 FRIDAY	AM HOURS												PM HOURS												DAILY TOTAL	
	1	2	3	4	5	6	7	8	9	10	11	12	1	2	3	4	5	6	7	8	9	10	11	12		
00-15	12	1	2	3	4	5	6	7	8	9	10	11	12	1	2	3	4	5	6	7	8	9	10	11	12	1388
15-30	1	2	3	4	5	6	7	8	9	10	11	12	1	2	3	4	5	6	7	8	9	10	11	12	0	
30-45	1	2	3	4	5	6	7	8	9	10	11	12	1	2	3	4	5	6	7	8	9	10	11	12	0	
45-00	1	2	3	4	5	6	7	8	9	10	11	12	1	2	3	4	5	6	7	8	9	10	11	12	0	
TOT	65	45	27	19	35	68	142	234	247	237	269														1388	
									AM PEAK HOUR 0745 TO 0845 VOLUME																AM TOTAL 1388	
									PM PEAK HOUR 0000 TO 0000 VOLUME																PM TOTAL 0	

12/01/14 THRU 12/05/14 TOTAL HOURS FOR COUNT 95

3 DAYS AVG WEEKDAY VOL 5468 X SEASONAL ADJ. FACTOR 1.0100 = 5523 X AXLE CORR FACTOR 0.9370 = ESTIMATED AVG DAILY TRAFFIC 5175

PEAK HOUR PERCENTAGES: K = 10.17 D = 100.00

PEAK HOUR LOCATION : VOLUME = 356 DATE: 12/02/14 TIME: 03:15 PM



Ru

Interval 60 min. 15 min.
 Binned(CL/SP) Count(volume)
Lane No 1 2

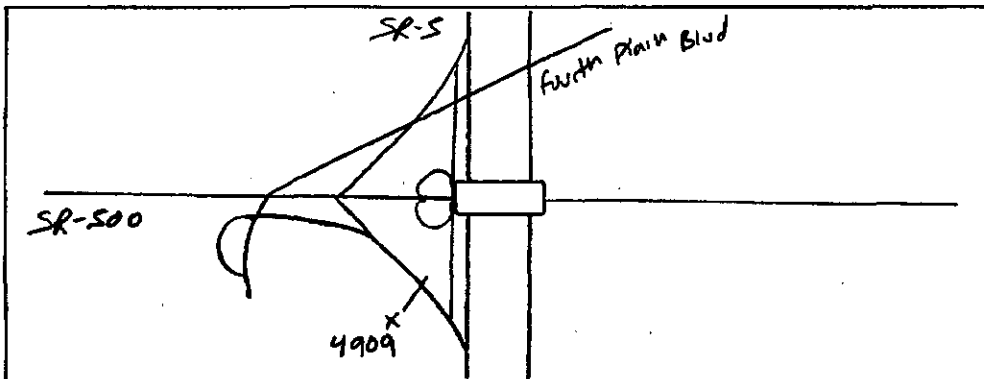
Direction Channel 1 _____
Direction Channel 2 _____
Unique ID# _____

Counter No. 494909 Count ID 14-003
SR 205 RRT/RRQ S1 03061 MP 0.29
~~0.14~~
Leg 2 Direction SB OSID _____

Station Description ON SR 205 SB ON RAMP FROM SR 500 EB / NG 4TH PLAIN BLVD

Date	Day	Time	Comments
12/1/14	2	1012	Manual (1) <u>1</u> (2) _____ Counter (1) <u>1</u> (2) _____ SET COUNTER OK DB/BJ
12/2	3	1029	Manual (1) <u>50</u> (2) _____ Counter (1) <u>50</u> (2) _____ CHECK COUNTER OK
12/3	4	1008	Manual (1) <u>50</u> (2) _____ Counter (1) <u>50</u> (2) _____ CHECK COUNTER OK
12/4	5	1005	Manual (1) <u>50</u> (2) _____ Counter (1) <u>50</u> (2) _____ CHECK COUNTERS OK
12/5	6	1030	Manual (1) <u>1</u> (2) _____ Counter (1) <u>1</u> (2) _____ P/U COUNTER OK DB/BJ

Sketch



DB/BJ
Field Person

SR 205 S103061 MP 000.29 OFF SYSTEM ID. LEG 2 DIRECTION OF TRAFFIC SOUTHBOUND

COUNT IDENTIFIER 14-003 COUNTER NUMBER 494909 DESCRIPTION: ON SR 205 SB ON RAMP FROM SR 500 EB/NE 4TH PLAIN BLVD

12/01/14 MONDAY	AM HOURS												PM HOURS												DAILY TOTAL	
	1	2	3	4	5	6	7	8	9	10	11	12	1	2	3	4	5	6	7	8	9	10	11	12		
12	1	2	3	4	5	6	7	8	9	10	11	12	1	2	3	4	5	6	7	8	9	10	11	12	1500	
00-15																									60	
15-30																									45	
30-45																									29	
45-00																									43	
TOT	12	1	2	3	4	5	6	7	8	9	10	11	12	1	2	3	4	5	6	7	8	9	10	11	12	10588

AM PEAK HOUR 1030 TO 1130 VOLUME 892
PM PEAK HOUR 0445 TO 0545 VOLUME 1238

AM TOTAL 1500
PM TOTAL 9088

12/02/14 TUESDAY	AM HOURS												PM HOURS												DAILY TOTAL	
	1	2	3	4	5	6	7	8	9	10	11	12	1	2	3	4	5	6	7	8	9	10	11	12		
12	1	2	3	4	5	6	7	8	9	10	11	12	1	2	3	4	5	6	7	8	9	10	11	12	6172	
00-15																									46	
15-30																									28	
30-45																									36	
45-00																									33	
TOT	12	1	2	3	4	5	6	7	8	9	10	11	12	1	2	3	4	5	6	7	8	9	10	11	12	15350

AM PEAK HOUR 0845 TO 0945 VOLUME 985
PM PEAK HOUR 0415 TO 0515 VOLUME 1247

AM TOTAL 6172
PM TOTAL 9178

12/03/14 WEDNESDAY	AM HOURS												PM HOURS												DAILY TOTAL	
	1	2	3	4	5	6	7	8	9	10	11	12	1	2	3	4	5	6	7	8	9	10	11	12		
12	1	2	3	4	5	6	7	8	9	10 <td>11</td> <td>12</td> <td>1</td> <td>2</td> <td>3</td> <td>4</td> <td>5</td> <td>6</td> <td>7</td> <td>8</td> <td>9</td> <td>10<td>11</td><td>12</td> <td>6022</td> </td>	11	12	1	2	3	4	5	6	7	8	9	10 <td>11</td> <td>12</td> <td>6022</td>	11	12	6022	
00-15																									50	
15-30																									46	
30-45																									32	
45-00																									24	
TOT	12	1	2	3	4	5	6	7	8	9	10 <td>11</td> <td>12</td> <td>1</td> <td>2</td> <td>3</td> <td>4</td> <td>5</td> <td>6</td> <td>7</td> <td>8</td> <td>9</td> <td>10<td>11</td><td>12</td> <td>15536</td> </td>	11	12	1	2	3	4	5	6	7	8	9	10 <td>11</td> <td>12</td> <td>15536</td>	11	12	15536

AM PEAK HOUR 1100 TO 1200 VOLUME 1002
PM PEAK HOUR 0430 TO 0530 VOLUME 1270

AM TOTAL 6022
PM TOTAL 9514

SR 205 S103061 MP 000.29 OFF SYSTEM ID. LEG 2 DIRECTION OF TRAFFIC SOUTHBOUND LANE ALL OF

COUNT IDENTIFIER 14-003 COUNTER NUMBER 494909 DESCRIPTION: ON SR 205 SB ON RAMP FROM SR 500 EB/NE 4TH PLAIN BLVD

12/04/14 THURSDAY		AM HOURS												PM HOURS												DAILY TOTAL
COUNT	IDENTIFIER	1	2	3	4	5	6	7	8	9	10	11	12	1	2	3	4	5	6	7	8	9	10	11	12	TOTAL
12	1	1	2	3	4	5	6	7	8	9	10	11	12	1	2	3	4	5	6	7	8	9	10	11	12	965
1	2	3	4	5	6	7	8	9	10	11	12	1	2	3	4	5	6	7	8	9	10	11	12	1182		
00-15	18	15	15	13	33	68	170	239	212	226	208	189	220	233	264	248	254	322	252	170	156	133	87	52	4875	
15-30	25	16	10	26	37	75	220	200	221	187	192	227	234	245	276	244	270	296	218	157	150	133	82	41	4875	
30-45	12	19	13	32	76	151	258	227	262	259	245	236	244	226	245	280	303	258	177	140	133	52	35	4875		
45-00	17	13	10	23	59	124	248	229	206	209	224	217	234	232	232	277	261	221	218	143	132	107	50	31	4875	
TOT	72	63	48	94	205	418	896	895	901	881	869	869	932	936	1017	1049	1088	1097	865	610	571	508	271	159	15314	

AM PEAK HOUR 0615 TO 0715 VOLUME 965 AM TOTAL 6211
 PM PEAK HOUR 0430 TO 0530 VOLUME 1182 PM TOTAL 9103

12/05/14 FRIDAY		AM HOURS												PM HOURS												DAILY TOTAL
COUNT	IDENTIFIER	1	2	3	4	5	6	7	8	9	10	11	12	1	2	3	4	5	6	7	8	9	10	11	12	TOTAL
12	1	1	2	3	4	5	6	7	8	9	10	11	12	1	2	3	4	5	6	7	8	9	10	11	12	969
1	2	3	4	5	6	7	8	9	10	11	12	1	2	3	4	5	6	7	8	9	10	11	12	0		
00-15	35	27	8	13	24	71	153	219	191	209	216														4875	
15-30	26	13	22	25	52	84	203	244	213	213	216														4875	
30-45	18	23	9	30	71	144	294	220	237	216															4875	
45-00	13	14	11	30	59	120	212	214	232	235															4875	
TOT	92	77	50	98	206	419	862	897	873	873	428														4875	

AM PEAK HOUR 0630 TO 0730 VOLUME 969 AM TOTAL 4875
 PM PEAK HOUR 0000 TO 0000 VOLUME 0 PM TOTAL 0

12/01/14 THRU 12/05/14 TOTAL HOURS FOR COUNT 94
 3 DAYS FACTOR GROUP R051
 AVG WEEKDAY VOL 15400 X SEASONAL ADJ. FACTOR 1.0100 = 15554 X AXLE CORR FACTOR 0.9370 = ESTIMATED AVG DAILY TRAFFIC 14574
 PEAK HOUR PERCENTAGES: K = 8.25 D = 100.00
 PEAK HOUR LOCATION : VOLUME = 1270 DATE: 12/03/14 TIME: 04:30 PM



Ru

Interval 60 min. 15 min.
 Binned(CL/SP) Count(volume)
 Lane No 1 2

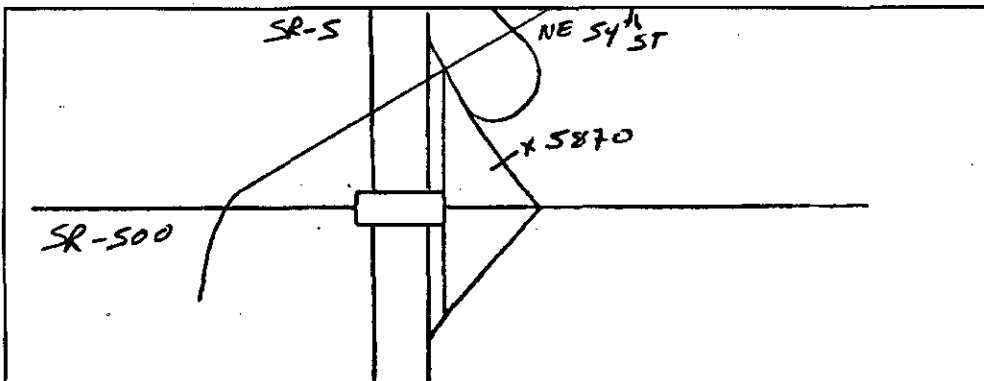
Direction Channel 1 _____
 Direction Channel 2 _____
 Unique ID# _____

Counter No. 495870 Count ID 14-003
 SR 205 RRT/RRQ Q1 03117 MP 0.00
 Leg 2 Direction NB OSID _____

Station Description _ ON SR 205 NB ON RAMP FROM SR 500 WB

Date	Day	Time	Comments
12/1/14	2	1107	Manual (1) <u>1</u> (2) _____ Counter (1) <u>1</u> (2) _____ SET COUNTER OK DB/BJ
12/2	3	1127	Manual (1) <u>18</u> (2) _____ Counter (1) <u>18</u> (2) _____ CHECK COUNTER OK
12/3	4	1101	Manual (1) <u>25</u> (2) _____ Counter (1) <u>25</u> (2) _____ CHECK COUNTER OK
12/4	5	1100	Manual (1) <u>20</u> (2) _____ Counter (1) <u>20</u> (2) _____ CHECK COUNTERS OK
12/5	6	1111	Manual (1) <u>1</u> (2) _____ Counter (1) <u>1</u> (2) _____ P/U COUNTER OK DB/BJ

Sketch



DB/BJ
Field Person

SR 205 0103117 MP 000.00 OFF SYSTEM ID. LEG 2 DIRECTION OF TRAFFIC NORTHBOUND LANE ALL OF
 COUNT IDENTIFIER 14-003 COUNTER NUMBER 495870 DESCRIPTION: ON SR 205 NB ON RAMP FROM SR 500 WB

TIME	12/01/14 MONDAY												DAILY TOTAL												
	AM HOURS						PM HOURS																		
00-15	12	1	2	3	4	5	6	7	8	9	10	11	12	1	2	3	4	5	6	7	8	9	10	11	12
15-30	1
30-45
45-00
TOT	12	1	2	3	4	5	6	7	8	9	10	11	12	1	2	3	4	5	6	7	8	9	10	11	12
AM TOTAL	172						352						389						172						
PM TOTAL	424												406						2679						

TIME	12/02/14 TUESDAY												DAILY TOTAL												
	AM HOURS						PM HOURS																		
00-15	12	1	2	3	4	5	6	7	8	9	10	11	12	1	2	3	4	5	6	7	8	9	10	11	12
15-30	1
30-45
45-00
TOT	25	18	8	17	72	142	236	359	364	277	275	243	264	308	313	378	375	431	229	177	147	112	62	33	4865
AM PEAK HOUR 0730 TO 0830 VOLUME	387												378						2036						
PM PEAK HOUR 0430 TO 0530 VOLUME	452												431						2829						

TIME	12/03/14 WEDNESDAY												DAILY TOTAL												
	AM HOURS						PM HOURS																		
00-15	12	1	2	3	4	5	6	7	8	9	10	11	12	1	2	3	4	5	6	7	8	9	10	11	12
15-30	1
30-45
45-00
TOT	20	11	12	24	75	138	262	259	400	316	283	270	261	297	269	361	410	415	274	184	136	100	56	32	4865
AM PEAK HOUR 0745 TO 0845 VOLUME	411												361						2070						
PM PEAK HOUR 0445 TO 0545 VOLUME	442												410						2795						

DOT-RN8515A-B

STATE OF WASHINGTON - DEPARTMENT OF TRANSPORTATION
TRIP SYSTEM
15 MINUTE TRAFFIC COUNT SUMMARY

DATE 12/12/14
TIME 09:40:21
PAGE 126

SR 205 0103117 MP 000.00

OFF SYSTEM ID.

LEG 2

DIRECTION OF TRAFFIC NORTHBOUND

LANE ALL OF

COUNT IDENTIFIER 14-003

COUNTER NUMBER 495870

DESCRIPTION: ON SR 205 NB ON RAMP FROM SR 500 WB

12/04/14 THURSDAY

AM HOURS

PM HOURS

DAILY TOTAL

12	1	2	3	4	5	6	7	8	9	10	11	12													
1	2	3	4	5	6	7	8	9	10	11	12														
00-15	2	4	1	15	18	41	94	72	60	56	63	72	84	89	79	88	80	44	36	30	21	14			
15-30	10	6	7	16	40	57	76	101	69	74	64	77	74	94	84	89	93	87	103	63	36	41	28	21	11
30-45	5	6	4	6	21	40	94	101	65	76	64	72	83	98	88	119	76	53	46	53	46	28	22	19	11
45-00	5	2	1	6	28	62	111	85	78	71	50	76	102	82	88	89	73	43	44	44	31	15	10	4	
TOT	22	18	13	16	80	160	207	375	382	284	281	246	280	320	343	368	374	340	239	170	136	95	71	40	4860
									AM PEAK HOUR 0745 TO 0845 VOLUME												AM TOTAL				2084
									PM PEAK HOUR 0430 TO 0530 VOLUME												PM TOTAL				2776

AM PEAK HOUR 0745 TO 0845 VOLUME 410
PM PEAK HOUR 0430 TO 0530 VOLUME 399

AM TOTAL 2084
PM TOTAL 2776

12/05/14 FRIDAY

AM HOURS

PM HOURS

DAILY TOTAL

12	1	2	3	4	5	6	7	8	9	10	11	12													
1	2	3	4	5	6	7	8	9	10	11	12														
00-15	9	2	4	3	9	26	40	71	96	70	61														
15-30	5	4	6	3	14	25	50	72	85	65	62														
30-45	2	3	4	6	14	45	69	84	86	66	95														
45-00	7	4	1	6	22	42	68	97	88	96	69														
TOT	23	13	15	18	59	138	227	324	355	297	287														
									AM PEAK HOUR 0745 TO 0845 VOLUME												AM TOTAL				1756
									PM PEAK HOUR 0000 TO 0000 VOLUME												PM TOTAL				0

AM PEAK HOUR 0745 TO 0845 VOLUME 364
PM PEAK HOUR 0000 TO 0000 VOLUME 0

AM TOTAL 1756
PM TOTAL 0

12/01/14 THRU 12/05/14
TOTAL HOURS FOR COUNT 95

3 DAYS
 AVG WEEKDAY VOL 4863 X SEASONAL ADJ. FACTOR 1.0100 = 4912 X AXLE CORR FACTOR 0.9370 = ESTIMATED AVG DAILY TRAFFIC 4603
 PEAK HOUR PERCENTAGES: K = 9.29 D = 100.00
 PEAK HOUR LOCATION : VOLUME = 452 DATE: 12/02/14 TIME: 04:30 PM



Ru

Interval 60 min. 15 min.
 Binned(CL/SP) Count(volume)
Lane No 1 2

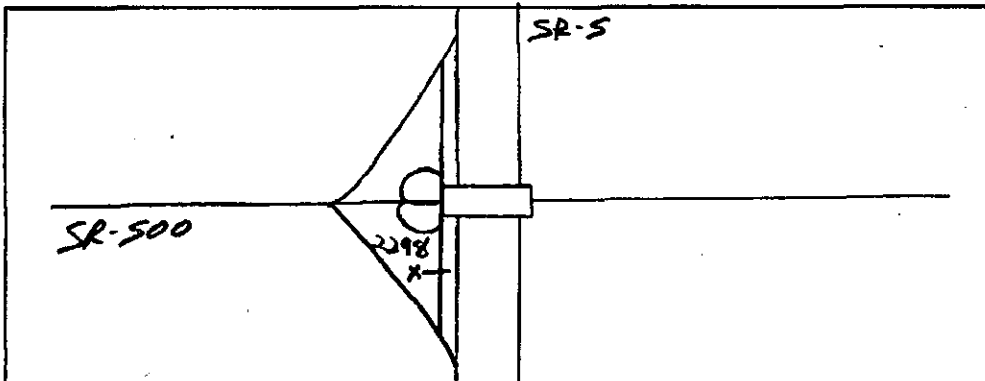
Direction Channel 1 _____
Direction Channel 2 _____
Unique ID# _____

Counter No. 492298 Count ID 14-003
SR 205 RRT/RRQ CD 03165 MP 0.82
Leg 2 Direction SB OSID _____

Station Description ON SR 205 SB COLL-DIST FROM SR 500 WB/SR 205 SB

Date	Day	Time	Comments
12/1/14	2	1008	Manual (1) <u>1</u> (2) _____ SET COUNTER OK DB/BJ Counter (1) <u>1</u> (2) _____
12/2	3	1023	Manual (1) <u>50</u> (2) _____ CHECK COUNTER OK Counter (1) <u>50</u> (2) _____
12/3	4	1002	Manual (1) <u>50</u> (2) _____ CHECK COUNTER OK Counter (1) <u>50</u> (2) _____
12/4	5	1000	Manual (1) <u>50</u> (2) _____ CHECK COUNTERS OK Counter (1) <u>50</u> (2) _____
12/5	6	1026	Manual (1) <u>1</u> (2) _____ P/U COUNTER OK DB/BJ Counter (1) <u>1</u> (2) _____

Sketch



DB/BJ
Field Person

SR 205 CD03165 MP 000.82 OFF SYSTEM ID. LEG 2 DIRECTION OF TRAFFIC SOUTHBOUND LANE ALL OF
 COUNT IDENTIFIER 14-003 COUNTER NUMBER 492298 DESCRIPTION: ON SR 205 SB COLL-DIST FROM SR 500 WB/SR 205 SB

12/01/14 MONDAY	AM HOURS												PM HOURS												DAILY TOTAL												
	1	2	3	4	5	6	7	8	9	10	11	12	1	2	3	4	5	6	7	8	9	10	11	12													
12	1	2	3	4	5	6	7	8	9	10	11	12	1	2	3	4	5	6	7	8	9	10	11	12	1377												
TOT	620												757												814	813	769	829	788	747	626	401	348	272	205	128	8117

AM PEAK HOUR 1015 TO 1115 VOLUME 793
 PM PEAK HOUR 0430 TO 0530 VOLUME 832
 AM TOTAL 1377
 PM TOTAL 6740

12/02/14 TUESDAY	AM HOURS												PM HOURS												DAILY TOTAL																						
	1	2	3	4	5	6	7	8	9	10	11	12	1	2	3	4	5	6	7	8	9	10	11	12																							
12	1	2	3	4	5	6	7	8	9	10	11	12	1	2	3	4	5	6	7	8	9	10	11	12	7083																						
TOT	80												58												73	162	287	801	1324	843	868	887	871	829	790	856	816	829	866	802	654	469	372	303	183	128	14151

AM PEAK HOUR 0600 TO 0700 VOLUME 1324
 PM PEAK HOUR 0415 TO 0515 VOLUME 868
 AM TOTAL 7083
 PM TOTAL 7068

12/03/14 WEDNESDAY	AM HOURS												PM HOURS												DAILY TOTAL																						
	1	2	3	4	5	6	7	8	9	10	11	12	1	2	3	4	5	6	7	8	9	10	11	12																							
12	1	2	3	4	5	6	7	8	9	10 <td>11</td> <td>12</td> <td>1</td> <td>2</td> <td>3</td> <td>4</td> <td>5</td> <td>6</td> <td>7</td> <td>8</td> <td>9</td> <td>10<td>11</td><td>12</td> <td>6872</td> </td>	11	12	1	2	3	4	5	6	7	8	9	10 <td>11</td> <td>12</td> <td>6872</td>	11	12	6872																						
TOT	75												52												48	144	313	784	1190	630	1037	941	831	827	749	803	881	870	856	812	752	470	356	341	214	123	14099

AM PEAK HOUR 0545 TO 0645 VOLUME 1250
 PM PEAK HOUR 0330 TO 0430 VOLUME 896
 AM TOTAL 6872
 PM TOTAL 7227

SR 205 CD03165 MP 000.82 OFF SYSTEM ID. LEG 2 DIRECTION OF TRAFFIC SOUTHBOUND

COUNT IDENTIFIER 14-003 COUNTER NUMBER 492298 DESCRIPTION: ON SR 205 SB COLL-DIST FROM SR 500 WB/SR 205 SB

12/04/14 THURSDAY		AM HOURS												PM HOURS												DAILY TOTAL			
COUNT	IDENTIFIER	1	2	3	4	5	6	7	8	9	10	11	12	1	2	3	4	5	6	7	8	9	10	11	12	AM TOTAL	PM TOTAL		
12	1	1	2	3	4	5	6	7	8	9	10	11	12	1	2	3	4	5	6	7	8	9	10	11	12	1141	841	7065	7006
AM PEAK HOUR 0600 TO 0700 VOLUME		1141																								AM TOTAL			
PM PEAK HOUR 0315 TO 0415 VOLUME		841																								PM TOTAL			

12/05/14 FRIDAY		AM HOURS												PM HOURS												DAILY TOTAL	
COUNT	IDENTIFIER	1	2	3	4	5	6	7	8	9	10	11	12	1	2	3	4	5	6	7	8	9	10	11	12	AM TOTAL	PM TOTAL
92	56	91	145	287	765	1258	949	955	896	240	1258	0	5734	0	5734												
AM PEAK HOUR 0600 TO 0700 VOLUME		1258																								AM TOTAL	
PM PEAK HOUR 0000 TO 0000 VOLUME		0																								PM TOTAL	

12/01/14 THRU 12/05/14 TOTAL HOURS FOR COUNT 94

3 DAYS FACTOR GROUP R051

AVG WEEKDAY VOL 14107 X SEASONAL ADJ. FACTOR 1.0100 = 14248 X AXLE CORR FACTOR 0.9370 = ESTIMATED AVG DAILY TRAFFIC 13350

PEAK HOUR PERCENTAGES: K = 9.39 D = 100.00

PEAK HOUR LOCATION : VOLUME = 1324 DATE: 12/02/14 TIME: 06:00 AM



Washington State
Department of Transportation

Diamond Traffic Counter

Ru

Interval 60 min. 15 min.

Binned(CL/SP) Count(volume)

Lane No 1 2

1 of 2

Direction Channel 1 _____

Direction Channel 2 _____

Unique ID# _____

Counter No. 494909 Count ID 14-003

CD 03165 *1.40*

SR 205 RRT/RRQ ~~SR 0306T~~ MP ~~0.14~~

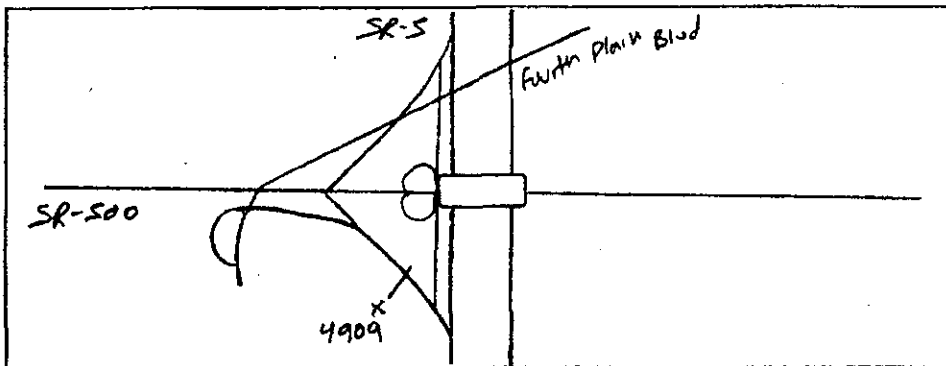
Leg *1* Direction SB OSID _____

Station Description ON SR 205 SB ON RAMP FROM SR 500

ON SR 205 SB COLL-DIST FROM NE 4TH PLAIN BLVD / SR 500 / SR 205 SB

Date	Day	Time	Comments
12/1/14	2	1012	Manual (1) <u>1</u> (2) _____ Counter (1) <u>1</u> (2) _____ SET COUNTER OK DB/BJ
12/2	3	1029	Manual (1) <u>50</u> (2) _____ Counter (1) <u>50</u> (2) _____ CHECK COUNTER OK
12/3	4	1008	Manual (1) <u>50</u> (2) _____ Counter (1) <u>50</u> (2) _____ CHECK COUNTER OK
12/4	5	1005	Manual (1) <u>50</u> (2) _____ Counter (1) <u>50</u> (2) _____ CHECK COUNTERS OK
12/5	6	1030	Manual (1) <u>1</u> (2) _____ Counter (1) <u>1</u> (2) _____ P/U COUNTER OK DB/BJ

Sketch



DB/BJ
Field Person

Ru

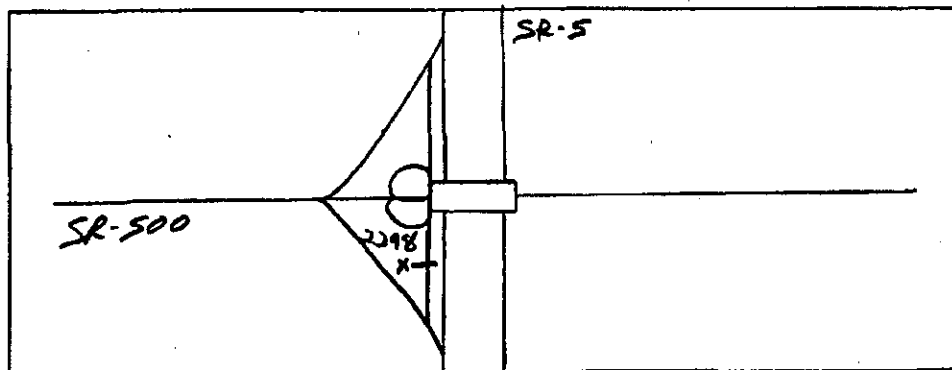
Interval <input type="checkbox"/> 60 min. <input checked="" type="checkbox"/> 15 min.
<input type="checkbox"/> Binned(CL/SP) <input checked="" type="checkbox"/> Count(volume)
Lane No <input type="checkbox"/> 1 <input type="checkbox"/> 2
<i>2 of 2</i>
Direction Channel 1 _____
Direction Channel 2 _____
Unique ID# _____

Counter No. <u>492298</u>	Count ID <u>14-003</u>
SR <u>205 RRT/RRQ</u>	CD <u>03165</u> MP <u>1.40</u> 0.82
Leg <u>1</u>	Direction <u>SB</u> OSID _____

Station Description ON SR 205 SB COLL-DIST FROM NE 4TH PLAIN BLVD/SR 500/SR 205 SB

Date	Day	Time	Comments
12/1/14	2	1008	Manual (1) <u>1</u> (2) _____ Counter (1) <u>1</u> (2) _____ SET COUNTER OK DB/BJ
12/2	3	1023	Manual (1) <u>50</u> (2) _____ Counter (1) <u>50</u> (2) _____ CHECK COUNTER OK
12/3	4	1002	Manual (1) <u>50</u> (2) _____ Counter (1) <u>50</u> (2) _____ CHECK COUNTER OK
12/4	5	1000	Manual (1) <u>50</u> (2) _____ Counter (1) <u>50</u> (2) _____ CHECK COUNTERS OK
12/5	6	1026	Manual (1) <u>1</u> (2) _____ Counter (1) <u>1</u> (2) _____ P/U COUNTER OK DB/BJ

Sketch



DB/BJ
Field Person

SR 205 CD03165 MP 001.40 OFF SYSTEM ID. LEG 1 DIRECTION OF TRAFFIC SOUTHBOUND LANE 1 OF 2

COUNT IDENTIFIER 14-003 COUNTER NUMBER 494909 DESCRIPTION: ON SR 205 SB COLL-DIST FROM NE 4TH PLAIN BLVD/SR 500/SR 205

12/01/14 MONDAY	AM HOURS												PM HOURS												DAILY TOTAL	
	1	2	3	4	5	6	7	8	9	10	11	12	1	2	3	4	5	6	7	8	9	10	11	12		
12	1	2	3	4	5	6	7	8	9	10	11	12	1	2	3	4	5	6	7	8	9	10	11	12	1500	
00-15																									60	
15-30																									66	
30-45																									52	
45-00																									43	
TOT	12	1	2	3	4	5	6	7	8	9	10	11	12	1	2	3	4	5	6	7	8	9	10	11	12	9088

AM PEAK HOUR 1030 TO 1130 VOLUME 892
 PM PEAK HOUR 0445 TO 0545 VOLUME 1238

12/02/14 TUESDAY	AM HOURS												PM HOURS												DAILY TOTAL	
	1	2	3	4	5	6	7	8	9	10	11	12	1	2	3	4	5	6	7	8	9	10	11	12		
12	1	2	3	4	5	6	7	8	9	10	11	12	1	2	3	4	5	6	7	8	9	10	11	12	15350	
00-15																									46	
15-30																									28	
30-45																									57	
45-00																									35	
TOT	12	1	2	3	4	5	6	7	8	9	10	11	12	1	2	3	4	5	6	7	8	9	10	11	12	9178

AM PEAK HOUR 0845 TO 0945 VOLUME 985
 PM PEAK HOUR 0415 TO 0515 VOLUME 1247

12/03/14 WEDNESDAY	AM HOURS												PM HOURS												DAILY TOTAL
	1	2	3	4	5	6	7	8	9	10	11	12	1	2	3	4	5	6	7	8	9	10	11	12	
12	1	2	3	4	5	6	7	8	9	10 <td>11</td> <td>12</td> <td>1</td> <td>2</td> <td>3</td> <td>4</td> <td>5</td> <td>6</td> <td>7</td> <td>8</td> <td>9</td> <td>10</td> <td>11</td> <td>12</td> <td>15536</td>	11	12	1	2	3	4	5	6	7	8	9	10	11	12	15536
00-15																									50
15-30																									46
30-45																									32
45-00																									24
TOT	81	65	50	91	183	415	877	770	893	793	802	1002	998	1000	1026	1155	1167	1231	919	634	525	468	239	152	15536

AM PEAK HOUR 1100 TO 1200 VOLUME 1002
 PM PEAK HOUR 0430 TO 0530 VOLUME 1270

12/04/14 THURSDAY

AM HOURS	1	2	3	4	5	6	7	8	9	10	11	12	PM HOURS	1	2	3	4	5	6	7	8	9	10	11	12	DAILY TOTAL
00-15	12	1	2	3	4	5	6	7	8	9	10	11	12	1	2	3	4	5	6	7	8	9	10	11	12	4875
15-30	18	15	15	13	33	68	170	239	212	226	208	189	220	233	264	248	254	322	252	170	156	133	87	52		
30-45	25	16	10	26	37	75	220	200	221	187	192	227	234	245	276	244	270	296	218	157	150	133	82	41		
45-00	12	19	13	32	76	151	258	227	262	259	245	236	244	226	245	280	303	258	177	140	133	52	35			
TOT	72	63	48	94	205	418	896	895	901	881	869	869	932	936	1017	1049	1088	1097	865	610	571	508	271	159		15314

AM PEAK HOUR 0615 TO 0715 VOLUME 965
 PM PEAK HOUR 0430 TO 0530 VOLUME 1182
 AM TOTAL 6211
 PM TOTAL 9103

12/05/14 FRIDAY

AM HOURS	1	2	3	4	5	6	7	8	9	10	11	12	PM HOURS	1	2	3	4	5	6	7	8	9	10	11	12	DAILY TOTAL
00-15	12	1	2	3	4	5	6	7	8	9	10	11	12	1	2	3	4	5	6	7	8	9	10	11	12	4875
15-30	35	27	8	13	24	71	153	219	191	209	216	216														
30-45	26	13	22	25	52	84	203	244	213	213	216	212														
45-00	18	23	9	30	71	144	294	220	237	216																
TOT	92	77	50	98	206	419	862	897	873	873	428															4875

AM PEAK HOUR 0630 TO 0730 VOLUME 969
 PM PEAK HOUR 0000 TO 0000 VOLUME 0
 AM TOTAL 4875
 PM TOTAL 0

SR 205 CD03165 MP 001.40 OFF SYSTEM ID. LEG 1 DIRECTION OF TRAFFIC SOUTHBOUND LANE 2 OF 2

COUNT IDENTIFIER 14-003 COUNTER NUMBER 492298 * DESCRIPTION: ON SR 205 SB COLL-DIST FROM NE 4TH PLAIN BLVD/SR 500/SR 205

12/01/14 MONDAY

AM HOURS	PM HOURS	TOTAL
00-15	12	12
15-30	1	1
30-45	2	2
45-00	3	3
TOT	14	14

AM PEAK HOUR 1015 TO 1115 VOLUME 793
 PM PEAK HOUR 0430 TO 0530 VOLUME 832
 AM TOTAL 1377
 PM TOTAL 6740

12/02/14 TUESDAY

AM HOURS	PM HOURS	TOTAL
00-15	12	12
15-30	1	1
30-45	2	2
45-00	3	3
TOT	14	14

AM PEAK HOUR 0600 TO 0700 VOLUME 1324
 PM PEAK HOUR 0415 TO 0515 VOLUME 868
 AM TOTAL 7083
 PM TOTAL 7068

12/03/14 WEDNESDAY

AM HOURS	PM HOURS	TOTAL
00-15	12	12
15-30	1	1
30-45	2	2
45-00	3	3
TOT	14	14

AM PEAK HOUR 0545 TO 0645 VOLUME 1250
 PM PEAK HOUR 0330 TO 0430 VOLUME 896
 AM TOTAL 6872
 PM TOTAL 7227

SR 205 CD03165 MP 001.40

OFF SYSTEM ID.

LEG 1

DIRECTION OF TRAFFIC SOUTHBOUND

LANE 2 OF 2

COUNT IDENTIFIER 14-003

COUNTER NUMBER 492298 *

DESCRIPTION: ON SR 205 SB COLL-DIST FROM NE 4TH PLAIN BLVD/SR 500/SR 205

12/04/14 THURSDAY		AM HOURS												PM HOURS					TOTAL							
12	1	2	3	4	5	6	7	8	9	10	11	12	1	2	3	4	5	6	7	8	9	10	11	12	DAILY	
12	1	2	3	4	5	6	7	8	9	10	11	12	1	2	3	4	5	6	7	8	9	10	11	12	TOTAL	
00-15	17	19	22	20	47	114	316	239	229	223	195	225	205	200	173	187	205	238	180	118	102	117	57	48		
15-30	20	15	21	34	72	190	319	171	240	231	216	215	209	191	185	214	196	210	190	123	112	96	59	31		
30-45	32	14	25	46	109	234	255	179	260	252	217	207	197	201	213	188	188	166	166	86	79	71	55	35		
45-00	23	15	24	48	94	248	251	206	247	255	209	196	211	186	206	209	201	175	155	108	75	77	43	28		
TOT	92	63	92	148	322	786	1141	795	976	961	836	853	832	774	765	823	790	811	691	435	368	361	214	142	14071	
									AM PEAK HOUR 0600 TO 0700 VOLUME 1141												AM TOTAL 7065					
									PM PEAK HOUR 0315 TO 0415 VOLUME 841													PM TOTAL 7006				

12/05/14 FRIDAY		AM HOURS												PM HOURS					TOTAL							
12	1	2	3	4	5	6	7	8	9	10	11	12	1	2	3	4	5	6	7	8	9	10	11	12	DAILY	
12	1	2	3	4	5	6	7	8	9	10	11	12	1	2	3	4	5	6	7	8	9	10	11	12	TOTAL	
00-15	17	17	10	19	28	113	277	274	222	227	240															
15-30	24	10	29	32	86	186	381	243	255	232																
30-45	22	14	28	50	86	250	330	207	238	221																
45-00	29	15	24	44	87	216	270	225	240	216																
TOT	92	56	91	145	287	765	1258	949	955	896	240														5734	
									AM PEAK HOUR 0600 TO 0700 VOLUME 1258													AM TOTAL 5734				
									PM PEAK HOUR 0000 TO 0000 VOLUME 0														PM TOTAL 0			

SR 205 CD03165 MP 001.40 OFF SYSTEM ID. 4922298 * LEG 1 DIRECTION OF TRAFFIC SOUTHBOUND LANE 12 OF 2
COUNT IDENTIFIER 14-003 COUNTER NUMBER 4922298 * DESCRIPTION: ON SR 205 SB COLL-DIST FROM NE 4TH PLAIN BLVD/SR 500/SR 205

12/01/14 MONDAY	AM HOURS	PM HOURS	AM TOTAL	PM TOTAL	DAILY TOTAL
12	1	1	403	386	789
1	2	2	440	416	856
2	3	3	409	413	822
3	4	4	436	443	879
4	5	5	457	446	903
5	6	6	461	454	915
6	7	7	461	462	923
7	8	8	469	480	949
8	9	9	492	454	946
9	10	10	452	547	1000
10	11	11	381	407	788
11	12	12	236	245	481
TOT			152	1259	1381

AM PEAK HOUR 1030 TO 1130 VOLUME 1652
PM PEAK HOUR 0430 TO 0530 VOLUME 2069

AM TOTAL 2877
PM TOTAL 15828

12/02/14 TUESDAY	AM HOURS	PM HOURS	AM TOTAL	PM TOTAL	DAILY TOTAL
12	1	1	49	36	85
1	2	2	32	23	55
2	3	3	25	26	51
3	4	4	45	54	99
4	5	5	55	95	150
5	6	6	197	284	481
6	7	7	456	603	1059
7	8	8	468	414	882
8	9	9	397	503	900
9	10	10	456	497	953
10	11	11	420	417	837
11	12	12	417	447	864
12	1	1	448	455	903
1	2	2	443	521	964
2	3	3	427	472	900
3	4	4	454	467	921
4	5	5	400	496	896
5	6	6	424	434	858
6	7	7	442	335	777
7	8	8	1761	1073	2834
8	9	9	1745	872	2617
9	10	10	1858	758	2616
10	11	11	1632	436	2068
11	12	12	1728	271	2000
TOT			152	117	269

AM PEAK HOUR 0615 TO 0715 VOLUME 2237
PM PEAK HOUR 0415 TO 0515 VOLUME 2115

AM TOTAL 13255
PM TOTAL 16246

12/03/14 WEDNESDAY	AM HOURS	PM HOURS	AM TOTAL	PM TOTAL	DAILY TOTAL
12	1	1	44	31	75
1	2	2	42	17	59
2	3	3	37	31	68
3	4	4	23	78	101
4	5	5	31	164	195
5	6	6	23	344	367
6	7	7	31	583	614
7	8	8	62	295	357
8	9	9	29	403	432
9	10	10	30	448	478
10	11	11	141	374	515
11	12	12	496	403	900
12	1	1	1199	448	1647
1	2	2	2067	448	2515
2	3	3	1400	425	1825
3	4	4	1930	409	2339
4	5	5	1734	432	2166
5	6	6	1633	463	2096
6	7	7	1829	445	2274
7	8	8	1747	425	2172
8	9	9	1803	493	2296
9	10	10	1907	470	2377
10	11	11	2025	459	2484
11	12	12	2023	348	2371
12	1	1	2043	1671	3714
1	2	2	1671	1104	2775
2	3	3	881	809	1690
3	4	4	453	275	728
4	5	5	275	81	356
5	6	6	81	126	207
6	7	7	126	84	210
7	8	8	84	58	142
8	9	9	58	91	149
9	10	10	91	50	141
10	11	11	50	275	325
11	12	12	275	295	570
TOT			156	117	273

AM PEAK HOUR 0600 TO 0700 VOLUME 2067
PM PEAK HOUR 0415 TO 0515 VOLUME 2095

AM TOTAL 12894
PM TOTAL 16741

SR 205 CD03165 MP 001.40 OFF SYSTEM ID. LEG 1 DIRECTION OF TRAFFIC SOUTHBOUND LANE 12 OF 2

COUNT IDENTIFIER 14-003 COUNTER NUMBER 492298 * DESCRIPTION: ON SR 205 SB COLL-DIST FROM NE 4TH PLAIN BLVD/SR 500/SR 205

12/04/14 THURSDAY		AM HOURS												PM HOURS					DAILY TOTAL							
COUNT	IDENTIFIER	1	2	3	4	5	6	7	8	9	10	11	12	1	2	3	4	5	6	7	8	9	10	11	12	TOTAL
12	1	1	2	3	4	5	6	7	8	9	10	11	12	1	2	3	4	5	6	7	8	9	10	11	12	10397
1	2	3	4	5	6	7	8	9	10	11	12	1	2	3	4	5	6	7	8	9	10	11	12	10397		
00-15	35	34	37	33	80	182	486	478	441	449	403	414	425	433	437	435	459	560	432	288	258	250	144	100		
15-30	45	31	31	60	109	265	539	371	461	418	408	442	443	436	461	458	466	506	408	280	262	229	141	72		
30-45	44	33	38	78	185	385	513	406	522	511	461	453	451	423	446	493	491	446	343	226	212	206	107	70		
45-00	40	28	34	71	153	372	499	435	453	464	433	413	445	418	438	486	462	396	373	251	207	184	93	59		
HOUR	164	126	140	242	527	1204	2037	1690	1877	1842	1705	1722	1764	1710	1782	1872	1878	1908	1556	1045	939	869	485	301	29385	
TOT																										

AM PEAK HOUR 0600 TO 0700 VOLUME 2037
 PM PEAK HOUR 0430 TO 0530 VOLUME 2019

AM TOTAL 13276
 PM TOTAL 16109

12/05/14 FRIDAY		AM HOURS												PM HOURS					DAILY TOTAL							
COUNT	IDENTIFIER	1	2	3	4	5	6	7	8	9	10	11	12	1	2	3	4	5	6	7	8	9	10	11	12	TOTAL
12	1	1	2	3	4	5	6	7	8	9	10	11	12	1	2	3	4	5	6	7	8	9	10	11	12	10397
1	2	3	4	5	6	7	8	9	10	11	12	1	2	3	4	5	6	7	8	9	10	11	12	10397		
00-15	52	44	18	32	52	184	430	493	413	436	456															
15-30	50	23	51	57	138	270	584	487	468	445																
30-45	40	37	80	157	394	624	427	475	437																	
45-00	42	29	35	74	146	336	482	439	472	451																
HOUR	184	133	141	243	493	1184	2120	1846	1828	1769	456															
TOT																										

AM PEAK HOUR 0615 TO 0715 VOLUME 2183
 PM PEAK HOUR 0000 TO 0000 VOLUME 0

AM TOTAL 10397
 PM TOTAL 0

12/01/14 THRU 12/05/14
 TOTAL HOURS FOR COUNT 94

3 DAYS FACTOR GROUP R051
 AVG WEEKDAY VOL 29507 X SEASONAL ADJ. FACTOR 1.0100 = 29802 X AXLE CORR FACTOR 0.9370 = ESTIMATED AVG DAILY TRAFFIC 27924
 PEAK HOUR PERCENTAGES: K = 7.58 D = 100.00
 PEAK HOUR LOCATION : VOLUME = 2237 DATE: 12/02/14 TIME: 06:15 AM



Washington State
Department of Transportation

Diamond Traffic Counter

RU

Interval 60 min. 15 min.
 Binned(CL/SP) Count(volume)
 Lane No 1 2

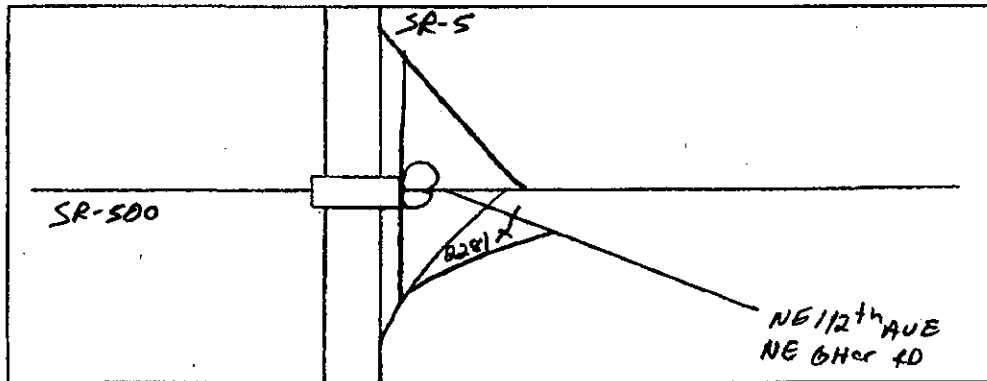
Direction Channel 1 _____
 Direction Channel 2 _____
 Unique ID# _____

Counter No. 492281 Count ID 14-003
 SR 500 RRT/RRQ P1 00480 MP 0.04
 Leg 2 Direction EB OSID _____

Station Description _ ON SR 500 EB OFF RAMP TO NE 112TH AVE

Date	Day	Time	Comments
12/1/14	2	1102	Manual (1) <u>1</u> (2) _____ Counter (1) <u>1</u> (2) _____ SET COUNTER OK DB/BJ
12/2	3	1120	Manual (1) <u>27</u> (2) _____ Counter (1) <u>27</u> (2) _____ CHECK COUNTER OK
12/3	4	1053	Manual (1) <u>50</u> (2) _____ Counter (1) <u>50</u> (2) _____ CHECK COUNTER OK
12/4	5	1051	Manual (1) <u>47</u> (2) _____ Counter (1) <u>47</u> (2) _____ CHECK COUNTERS OK
12/5	6	1106	Manual (1) <u>1</u> (2) _____ Counter (1) <u>1</u> (2) _____ P/U COUNTER OK DB/BJ

Sketch



DB/BS
Field Person

SR 500 P100480 MP 000.04 OFF SYSTEM ID. LEG 2 DIRECTION OF TRAFFIC EASTBOUND LANE ALL OF

COUNT IDENTIFIER 14-003 COUNTER NUMBER 492281 DESCRIPTION: ON SR 500 EB OFF RAMP TO NE 112TH AVE

12/01/14 MONDAY	AM HOURS	PM HOURS	AM TOTAL	PM TOTAL	DAILY TOTAL
12	1	1	2	2	4
1	2	2	4	4	8
2	3	3	6	6	12
3	4	4	8	8	16
4	5	5	10	10	20
5	6	6	12	12	24
6	7	7	14	14	28
7	8	8	16	16	32
8	9	9	18	18	36
9	10	10	20	20	40
10	11	11	22	22	44
11	12	12	24	24	48
12	1	1	26	26	52
TOT	439	623	689	900	1067
AM PEAK HOUR 0000 TO 0000 VOLUME			0		
PM PEAK HOUR 0445 TO 0545 VOLUME			1067		

12/02/14 TUESDAY	AM HOURS	PM HOURS	AM TOTAL	PM TOTAL	DAILY TOTAL
12	1	1	2	2	4
1	2	2	4	4	8
2	3	3	6	6	12
3	4	4	8	8	16
4	5	5	10	10	20
5	6	6	12	12	24
6	7	7	14	14	28
7	8	8	16	16	32
8	9	9	18	18	36
9	10	10	20	20	40
10	11	11	22	22	44
11	12	12	24	24	48
12	1	1	26	26	52
TOT	86	65	59	27	86
AM PEAK HOUR 0715 TO 0815 VOLUME			702		
PM PEAK HOUR 0500 TO 0600 VOLUME			1059		

12/03/14 WEDNESDAY	AM HOURS	PM HOURS	AM TOTAL	PM TOTAL	DAILY TOTAL
12	1	1	2	2	4
1	2	2	4	4	8
2	3	3	6	6	12
3	4	4	8	8	16
4	5	5	10	10	20
5	6	6	12	12	24
6	7	7	14	14	28
7	8	8	16	16	32
8	9	9	18	18	36
9	10	10	20	20	40
10	11	11	22	22	44
11	12	12	24	24	48
12	1	1	26	26	52
TOT	97	56	47	35	82
AM PEAK HOUR 0700 TO 0800 VOLUME			883		
PM PEAK HOUR 0445 TO 0545 VOLUME			1058		

DOT-RNB515A-B

STATE OF WASHINGTON - DEPARTMENT OF TRANSPORTATION
TRIP SYSTEM
15 MINUTE TRAFFIC COUNT SUMMARY

DATE 12/12/14
TIME 09:40:21
PAGE 142

SR 500 P100480 MP 000.04 OFF SYSTEM ID. LEG 2 DIRECTION OF TRAFFIC EASTBOUND LANE ALL OF
COUNT IDENTIFIER 14-003 COUNTER NUMBER 492281 DESCRIPTION: ON SR 500 EB OFF RAMP TO NE 112TH AVE

12/04/14 THURSDAY		AM HOURS												PM HOURS												DAILY TOTAL
12	1	2	3	4	5	6	7	8	9	10	11	12	1	2	3	4	5	6	7	8	9	10	11	12	TOTAL	
12	1	2	3	4	5	6	7	8	9	10	11	12	1	2	3	4	5	6	7	8	9	10	11	12	2949	
00-15	30	18	5	9	12	16	52	115	155	133	124	134	143	154	191	206	228	249	209	156	123	98	73	65		
15-30	27	20	18	5	6	37	86	153	133	136	100	122	159	178	173	186	245	277	182	150	125	118	73	40		
30-45	15	17	8	3	17	51	95	214	134	111	128	110	126	172	179	221	217	229	168	142	123	94	56	39		
45-00	26	16	15	14	12	54	122	178	134	130	122	156	164	153	165	241	234	211	174	141	99	88	52	27		
TOT	98	71	46	31	47	158	355	660	556	510	474	522	592	657	708	854	924	966	733	589	470	398	254	169	10842	
									AM PEAK HOUR 0715 TO 0815 VOLUME	700																
									PM PEAK HOUR 0445 TO 0545 VOLUME	989																
									AM TOTAL	3528																
									PM TOTAL	7314																

12/05/14 FRIDAY		AM HOURS												PM HOURS												DAILY TOTAL
12	1	2	3	4	5	6	7	8	9	10	11	12	1	2	3	4	5	6	7	8	9	10	11	12	TOTAL	
12	1	2	3	4	5	6	7	8	9	10	11	12	1	2	3	4	5	6	7	8	9	10	11	12	2949	
00-15	28	14	13	8	9	23	55	123	137	124	101															
15-30	27	23	23	11	12	34	71	167	138	106	120															
30-45	29	18	11	15	12	42	90	179	136	114	121															
45-00	23	19	12	11	16	57	107	178	149	108	135															
TOT	107	74	59	45	49	156	323	647	560	452	477															
									AM PEAK HOUR 0715 TO 0815 VOLUME	661																
									PM PEAK HOUR 0000 TO 0000 VOLUME	0																
									AM TOTAL	2949																
									PM TOTAL	0																

12/01/14 THRU 12/05/14 TOTAL HOURS FOR COUNT 95

3 DAYS AVG WEEKDAY VOL 11036 X SEASONAL ADJ. FACTOR 1.0000 = 11036 X AXLE CORR FACTOR 0.9824 = ESTIMATED AVG DAILY TRAFFIC 10842

PEAK HOUR PERCENTAGES: K = 9.67 D = 100.00

PEAK HOUR LOCATION : VOLUME = 1067 DATE: 12/01/14 TIME: 04:45 PM

FACTOR GROUP GR-02

FACTOR GROUP GR-B2