

Diamond Traffic Counter



Interval 60 min. 15 min.

Count(volume) Speed

Binned(CL/SP) Raw

Lane No 1 2

Direction Channel 1 SB LANE 1 of 2

Direction Channel 2 SB LANE 2 of 2

Data Hog # 7064

Counter No. 1699-13 Count ID SP#05-006

SR 005 RRT/RRQ MP 17.22

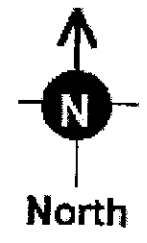
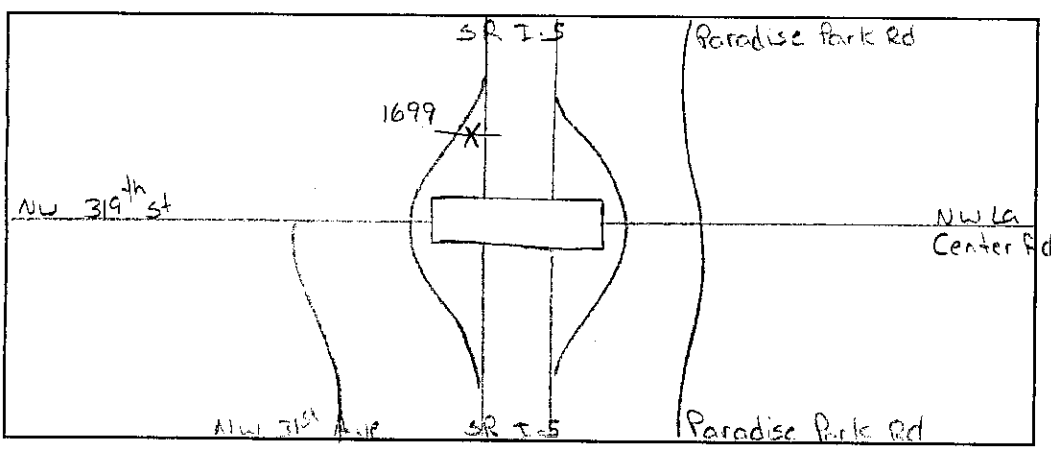
Leg 2 Direction See 1,2 OSID _____

Station Description ON Lane 1 = 005 R1 01707
Lane 2 = Main Line

ON SR 5 N/O NW 319TH ST / LA CENTER RD I/C

Date	Day	Time	Manual		Counter		Comments	
3-21-05	2	11:03	(1) 1	(2) 13	(1) 1	(2) 13	Set Ok CS/MD	6.6V
3-22-05	3	7:02	(1) 1	(2) 50	(1) 1	(2) 50	Check Ok CS/MD	6.3V
3-23-05	4	10:46	(1) 2	(2) 50	(1) 2	(2) 50	Check Ok CS/MD	Accident shut off-New folder at 10:50 B tube up/fix at 10:50 6.4V
3-24-05	5	7:20	(1) 5	(2) 50	(1) 5	(2) 50	Check Ok CS/MD	6.3V
3-25-05	6	6:38	(1) 1	(2) 1	(1) 1	(2) 1	Pick Up CS/MD	6.3V

Sketch



C. Shelton / M. Dietz
Field Person



Interval 60 min. 15 min.

Count(volume) Speed

Binned(CL/SP) Raw

Lane No 1 2

Direction Channel 1 _____

Direction Channel 2 _____

Data Hog # 7064

Counter No. 3553-13 Count ID SP#05-006

SR 005 RRT/RRQ _____ MP 17.22

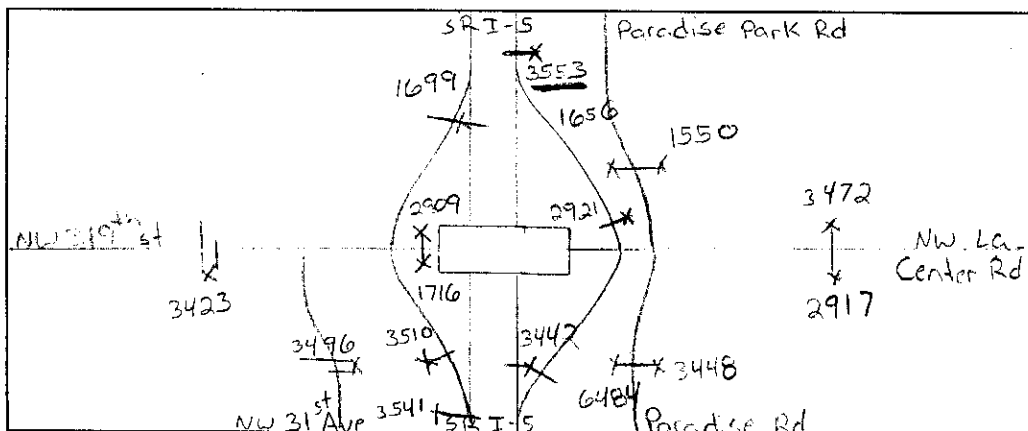
Leg 2 Direction NB OSID _____

Station Description _ ON SR I-5 N/O 319th St / La Center Rd Interchange

ON SR 5 N/O NW 319TH ST/LA CENTER RD I/C

Date	Day	Time	Comments
3-21-05	2	12:36	Manual (1) 11 (2) Set Ok Counter (1) 11 (2) CS/MD 6.8V
3-22-05	3	8:41	Manual (1) 51 (2) Check Ok sp=1 Counter (1) 50 (2) CS/MD 6.5V
3-23-05	4	10:34	Manual (1) 50 (2) Check Ok Counter (1) 50 (2) CS/MD 6.5V
3-24-05	5	9:50	Manual (1) 51 (2) Check Ok sp=1 Counter (1) 50 (2) CS/MD 6.5V
3-25-05	6	7:18	Manual (1) 1 (2) Pick Up Counter (1) 1 (2) CS/MD 6.5V

Sketch



C. Shelton / M. Dietz
Field Person

TRIP SYSTEM
15 MINUTE TRAFFIC COUNT SUMMARY

SR 005 MP 017.22 OFF SYSTEM ID. LEG 2 DIRECTION OF TRAFFIC SOUTHBOUND LANE 1 OF 2

COUNT IDENTIFIER 05-006 COUNTER NUMBER 001699 DESCRIPTION: ON SR 5 N/O NW 319TH ST/LA CENTER RD I/C

03/21/05 MONDAY	AM HOURS												PM HOURS												DAILY TOTAL
	12	1	2	3	4	5	6	7	8	9	10	11	12	1	2	3	4	5	6	7	8	9	10	11	
12	1	2	3	4	5	6	7	8	9	10	11	12	1	2	3	4	5	6	7	8	9	10	11	12	156
TOT	16	5	8	14	8	27	78	89	51	79	57	105	109	84	102	142	131	135	91	63	39	44	35	31	1543

AM PEAK HOUR 0000 TO 0000 VOLUME 0 AM TOTAL 56
PM PEAK HOUR 0430 TO 0530 VOLUME 162 PM TOTAL 919

03/22/05 TUESDAY	AM HOURS												PM HOURS												DAILY TOTAL
	12	1	2	3	4	5	6	7	8	9	10	11	12	1	2	3	4	5	6	7	8	9	10	11	
12	1	2	3	4	5	6	7	8	9	10	11	12	1	2	3	4	5	6	7	8	9	10	11	12	1569
TOT	9	12	27	5	9	18	66	97	63	81	84	83	86	88	105	139	131	150	112	64	44	45	26	25	1569

AM PEAK HOUR 0715 TO 0815 VOLUME 101 AM TOTAL 554
PM PEAK HOUR 0430 TO 0530 VOLUME 162 PM TOTAL 1015

03/23/05 WEDNESDAY	AM HOURS												PM HOURS												DAILY TOTAL
	12	1	2	3	4	5	6	7	8	9	10	11	12	1	2	3	4	5	6	7	8	9	10	11	
12	1	2	3	4	5	6	7	8	9	10	11	12	1	2	3	4	5	6	7	8	9	10	11	12	1543
TOT	16	5	8	14	8	27	78	89	51	79	57	105	109	84	102	142	131	135	91	63	39	44	35	31	1543

AM PEAK HOUR 1100 TO 1200 VOLUME 105 AM TOTAL 537
PM PEAK HOUR 0300 TO 0400 VOLUME 142 PM TOTAL 1006

DOT-RNB515A-B

STATE OF WASHINGTON - DEPARTMENT OF TRANSPORTATION

DATE 03/30/05

TRIP SYSTEM
15 MINUTE TRAFFIC COUNT SUMMARY

TIME 13:40:32
PAGE 47

SR 005 MP 017.22 OFF SYSTEM ID. LEG 2 DIRECTION OF TRAFFIC SOUTHBOUND LANE 1 OF 2

COUNT IDENTIFIER 05-006 COUNTER NUMBER 001699 DESCRIPTION: ON SR 5 N/O NW 319TH ST/LA CENTER RD I/C

03/24/05	THURSDAY												DAILY TOTAL																							
	AM HOURS						PM HOURS																													
00-15	15-30	30-45	45-00	HOUR	TOT	11	10	10	18	14	14	22	63	74	74	93	107	110	104	131	161	151	107	83	48	53	29	17	1640							
12	1	2	3	4	5	6	7	8	9	10	11	12	1	2	3	4	5	6	7	8	9	10	11	12	1	2	3	4	5	6	7	8	9	10	11	12
3	2	1	1	3	2	2	2	2	2	2	2	2	2	2	2	2	2	2	2	2	2	2	2	2	2	2	2	2	2	2	2	2	2	2	2	
2	1	6	2	5	1	14	19	17	18	18	17	20	25	23	24	24	29	35	37	30	32	42	37	30	22	17	14	8	20	8	6	4	4	4	4	
1	1	1	1	2	1	20	18	8	18	13	27	24	27	27	27	34	22	22	20	32	29	29	30	19	19	10	10	15	5	5	5	5	5	5	5	
5	1	1	1	2	1	18	37	24	19	19	25	22	34	20	32	38	32	38	20	32	38	40	40	25	19	10	15	5	5	5	5	5	5	5		
11	5	14	9	16	30	60	90	63	74	74	93	107	110	104	131	161	151	107	83	48	53	29	17	1640												
													AM PEAK HOUR 0715 TO 0815 VOLUME		93															AM TOTAL		539				
													PM PEAK HOUR 0330 TO 0430 VOLUME		163															PM TOTAL		1101				

03/25/05	FRIDAY												DAILY TOTAL																							
	AM HOURS						PM HOURS																													
00-15	15-30	30-45	45-00	HOUR	TOT	11	10	10	18	14	14	22	63	74	74	93	107	110	104	131	161	151	107	83	48	53	29	17	1640							
12	1	2	3	4	5	6	7	8	9	10	11	12	1	2	3	4	5	6	7	8	9	10	11	12	1	2	3	4	5	6	7	8	9	10	11	12
4	1	3	2	6	1	14	19	17	18	18	17	20	25	23	24	24	29	35	37	30	32	42	37	30	22	17	14	8	20	8	6	4	4	4	4	
6	8	4	4	11	4	20	18	8	18	13	27	24	27	27	34	22	22	20	32	29	29	30	19	19	10	10	15	5	5	5	5	5	5	5	5	
1	1	3	1	2	1	18	37	24	19	19	25	22	34	20	32	38	32	38	20	32	38	40	40	25	19	10	15	5	5	5	5	5	5	5	5	
11	10	10	18	14	30	60	90	63	74	74	93	107	110	104	131	161	151	107	83	48	53	29	17	1640												
													AM PEAK HOUR 0530 TO 0630 VOLUME		28															AM TOTAL		99				
													PM PEAK HOUR 0000 TO 0000 VOLUME		0															PM TOTAL		0				

99

SR 005 MP 017.22 OFF SYSTEM ID. LEG 2 DIRECTION OF TRAFFIC SOUTHBOUND LANE 2 OF 2

COUNT IDENTIFIER 05-006 COUNTER NUMBER 001699 DESCRIPTION: ON SR 5 N/O NW 319TH ST/LA CENTER RD I/C

03/21/05	MONDAY	AM HOURS												PM HOURS												DAILY
12	1	2	3	4	5	6	7	8	9	10	11	12	1	2	3	4	5	6	7	8	9	10	11	12	TOTAL	
12	1	2	3	4	5	6	7	8	9	10	11	12	1	2	3	4	5	6	7	8	9	10	11	12	24051	
628 660 663 578 695 731 696 557 506 297 262 216 175 164												622 624 670 588 640 645 572 388 316 303 236 209 192												1918 2548 2453 2613 2661 2625 2365 1920 1354 1088 920 853 733	24051	
AM PEAK HOUR 0000 TO 0000 VOLUME 0												AM PEAK HOUR 0145 TO 0245 VOLUME 2695												AM TOTAL 1918	PM TOTAL 22133	

03/22/05	TUESDAY	AM HOURS												PM HOURS												DAILY																								
12	1	2	3	4	5	6	7	8	9	10	11	12	1	2	3	4	5	6	7	8	9	10	11	12	TOTAL																									
12	1	2	3	4	5	6	7	8	9	10	11	12	1	2	3	4	5	6	7	8	9	10	11	12	30120																									
125 104 94 104 152 276 496 486 501 497 504 627 574 580 654 644 654 657 126												143 131 95 128 171 356 519 507 477 471 583 539 575 635 571 631 627 126												145 91 109 116 189 377 573 562 516 547 501 646 554 639 621 686 676 12												115 87 141 121 211 428 499 533 540 543 507 571 653 652 618 662 660 2												528 413 439 469 723 1437 2087 2088 2034 2058 2095 2383 2356 2506 2464 2623 2617 797 3	AM PEAK HOUR 1100 TO 1200 VOLUME 2383	AM TOTAL 16754
PM PEAK HOUR 0315 TO 0415 VOLUME 2633												PM PEAK HOUR 0415 TO 0515 VOLUME 2800												PM TOTAL 13366	PM TOTAL 23447																									

03/23/05	WEDNESDAY	AM HOURS												PM HOURS												DAILY																							
12	1	2	3	4	5	6	7	8	9	10	11	12	1	2	3	4	5	6	7	8	9	10	11	12	TOTAL																								
12	1	2	3	4	5	6	7	8	9	10	11	12	1	2	3	4	5	6	7	8	9	10	11	12	25848																								
586 628 621 668 651 613 700 533 400 322 287 224 193												574 648 663 668 706 715 695 532 425 326 281 226 173												614 628 678 611 723 624 432 368 288 312 212 184												627 636 659 664 698 694 661 495 335 340 254 219 143												2401 2540 2621 2611 2778 2713 2680 1992 1528 1276 1134 881 693	AM TOTAL 2401
PM PEAK HOUR 0415 TO 0515 VOLUME 2800												PM PEAK HOUR 0415 TO 0515 VOLUME 2800												PM TOTAL 23447	PM TOTAL 23447																								

STATE OF WASHINGTON - DEPARTMENT OF TRANSPORTATION
TRIP SYSTEM
15 MINUTE TRAFFIC COUNT SUMMARY

SR 005 MP 017.22 OFF SYSTEM ID. LEG 2 DIRECTION OF TRAFFIC SOUTHBOUND LANE 2 OF 2

COUNT IDENTIFIER 05-006 COUNTER NUMBER 001699 DESCRIPTION: ON SR 5 N/O NW 319TH ST/LA CENTER RD I/C

03/24/05	THURSDAY												DAILY TOTAL				
	AM HOURS						PM HOURS										
00-15	15-30	30-45	45-00	HOUR	TOT	1	2	3	4	5	6	7	8	9	10	11	12
168	128	112	112	520	520	1	2	3	4	5	6	7	8	9	10	11	12
136	106	108	97	447	447	1	2	3	4	5	6	7	8	9	10	11	12
113	127	101	104	445	445	2	3	4	5	6	7	8	9	10	11	12	179
129	133	116	164	542	542	3	4	5	6	7	8	9	10	11	12	12	200
169	208	183	206	766	766	4	5	6	7	8	9	10	11	12	12	12	200
295	328	375	438	1436	1436	5	6	7	8	9	10	11	12	12	12	12	200
531	544	556	508	2139	2139	6	7	8	9	10	11	12	12	12	12	12	200
463	568	532	456	2019	2019	7	8	9	10	11	12	12	12	12	12	12	200
529	539	534	498	2100	2100	8	9	10	11	12	12	12	12	12	12	12	200
495	555	550	540	2140	2140	9	10	11	12	12	12	12	12	12	12	12	200
560	536	624	600	2320	2320	10	11	12	12	12	12	12	12	12	12	12	200
617	598	615	629	2459	2459	11	12	12	12	12	12	12	12	12	12	12	200
612	600	640	622	2474	2474	12	12	12	12	12	12	12	12	12	12	12	200
673	623	708	683	2763	2763	1	2	3	4	5	6	7	8	9	10	11	172
640	661	642	686	2783	2783	2	3	4	5	6	7	8	9	10	11	12	172
661	729	743	714	2932	2932	3	4	5	6	7	8	9	10	11	12	12	172
729	727	755	561	2602	2602	4	5	6	7	8	9	10	11	12	12	12	172
727	551	509	475	2064	2064	5	6	7	8	9	10	11	12	12	12	12	172
551	488	393	398	1727	1727	6	7	8	9	10	11	12	12	12	12	12	172
488	341	340	302	1383	1383	7	8	9	10	11	12	12	12	12	12	12	172
341	368	276	275	1247	1247	8	9	10	11	12	12	12	12	12	12	12	172
368	254	205	196	915	915	9	10	11	12	12	12	12	12	12	12	12	172
254	179	200	132	683	683	10	11	12	12	12	12	12	12	12	12	12	172
179	179	200	132	41494	41494	11	12	12	12	12	12	12	12	12	12	12	172

AM PEAK HOUR 1100 TO 1200 VOLUME 2459
PM PEAK HOUR 0400 TO 0500 VOLUME 2932

AM TOTAL 17333
PM TOTAL 24161

03/25/05	FRIDAY												DAILY TOTAL				
	AM HOURS						PM HOURS										
00-15	15-30	30-45	45-00	HOUR	TOT	1	2	3	4	5	6	7	8	9	10	11	12
166	129	152	112	559	559	1	2	3	4	5	6	7	8	9	10	11	12
122	104	99	144	469	469	1	2	3	4	5	6	7	8	9	10	11	12
78	118	148	131	494	494	2	3	4	5	6	7	8	9	10	11	12	172
101	108	148	131	488	488	3	4	5	6	7	8	9	10	11	12	12	172
145	182	164	200	691	691	4	5	6	7	8	9	10	11	12	12	12	172
258	273	345	374	1250	1250	5	6	7	8	9	10	11	12	12	12	12	172
531	544	556	508	2139	2139	6	7	8	9	10	11	12	12	12	12	12	172
463	568	532	456	2019	2019	7	8	9	10	11	12	12	12	12	12	12	172
529	539	534	498	2100	2100	8	9	10	11	12	12	12	12	12	12	12	172
495	555	550	540	2140	2140	9	10	11	12	12	12	12	12	12	12	12	172
560	536	624	600	2320	2320	10	11	12	12	12	12	12	12	12	12	12	172
617	598	615	629	2459	2459	11	12	12	12	12	12	12	12	12	12	12	172
612	600	640	622	2474	2474	12	12	12	12	12	12	12	12	12	12	12	172
673	623	708	683	2763	2763	1	2	3	4	5	6	7	8	9	10	11	172
640	661	642	686	2783	2783	2	3	4	5	6	7	8	9	10	11	12	172
661	729	743	714	2932	2932	3	4	5	6	7	8	9	10	11	12	12	172
729	727	755	561	2602	2602	4	5	6	7	8	9	10	11	12	12	12	172
727	551	509	475	2064	2064	5	6	7	8	9	10	11	12	12	12	12	172
551	488	393	398	1727	1727	6	7	8	9	10	11	12	12	12	12	12	172
488	341	340	302	1383	1383	7	8	9	10	11	12	12	12	12	12	12	172
341	368	276	275	1247	1247	8	9	10	11	12	12	12	12	12	12	12	172
368	254	205	196	915	915	9	10	11	12	12	12	12	12	12	12	12	172
254	179	200	132	683	683	10	11	12	12	12	12	12	12	12	12	12	172
179	179	200	132	4822	4822	11	12	12	12	12	12	12	12	12	12	12	172

AM PEAK HOUR 0530 TO 0630 VOLUME 1590
PM PEAK HOUR 0000 TO 0000 VOLUME 0

AM TOTAL 4822
PM TOTAL 0

4822

SR 005 MP 017.22 OFF SYSTEM ID. LEG 2 DIRECTION OF TRAFFIC SOUTHBOUND LANE 12 OF 2

COUNT IDENTIFIER 05-006 COUNTER NUMBER 001699 DESCRIPTION: ON SR 5 N/O NW 319TH ST/LA CENTER RD I/C

03/21/05	MONDAY												AM TOTAL	PM TOTAL	DAILY TOTAL																																																																	
	AM HOURS																																																																															
00-15	12	1	2	3	4	5	6	7	8	9	10	11	12	1974	2506	25026																																																																
15-30	1	2	3	4	5	6	7	8	9	10	11	12	1	2	3	4	5	6	7	8	9	10	11	12	652	690	601	684	697	675	636	555	374	278	219	191	180	685	685	613	713	762	745	589	539	308	277	225	180	169	637	640	691	617	663	688	596	402	327	308	243	210	194	1974	2632	2555	2718	2764	2765	2491	2018	1414	1131	947	869	748	1974	2506	25026	25026
45-00	---												---												---																																																							
TOT	1974												2506												25026																																																							

03/22/05	TUESDAY												AM TOTAL	PM TOTAL	DAILY TOTAL																																																																																																																																																																																																																																																												
	AM HOURS																																																																																																																																																																																																																																																																										
00-15	12	1	2	3	4	5	6	7	8	9	10	11	12	537	425	466	474	732	1455	2153	2185	2097	2139	2179	2466	2442	2594	2569	2762	2748	947	115	64	44	14	14																																																																																																																																																																																																																																							
15-30	1	2	3	4	5	6	7	8	9	10	11	12	1	2	3	4	5	6	7	8	9	10	11	12	131	111	94	104	153	278	502	500	519	519	524	648	592	602	691	678	689	695	30	24	13	14	145	132	114	129	174	365	532	533	491	495	604	567	593	655	589	664	652	179	26	17	8	94	94	114	118	190	381	602	591	529	564	515	663	577	660	643	718	714	43	32	11	13	116	88	144	123	215	431	517	561	558	561	536	588	680	677	646	702	693	30	27	12	10	537	425	466	474	732	1455	2153	2185	2097	2139	2179	2466	2442	2594	2569	2762	2748	947	115	64	44	14	14	14																																																																																																																																						
45-00	---												---												---																																																																																																																																																																																																																																																		
TOT	537												425												466												474												732												1455												2153												2185												2097												2139												2179												2466												2442												2594												2569												2762												2748												947												115												64												44												14												14299	14299	14299

03/23/05	WEDNESDAY												AM TOTAL	PM TOTAL	DAILY TOTAL																																																																																																																																																																																																																																																												
	AM HOURS																																																																																																																																																																																																																																																																										
00-15	12	1	2	3	4	5	6	7	8	9	10	11	12	537	425	466	474	732	1455	2153	2185	2097	2139	2179	2466	2442	2594	2569	2762	2748	947	115	64	44	14	14																																																																																																																																																																																																																																							
15-30	1	2	3	4	5	6	7	8	9	10	11	12	1	2	3	4	5	6	7	8	9	10	11	12	131	111	94	104	153	278	502	500	519	519	524	648	592	602	691	678	689	695	30	24	13	14	145	132	114	129	174	365	532	533	491	495	604	567	593	655	589	664	652	179	26	17	8	94	94	114	118	190	381	602	591	529	564	515	663	577	660	643	718	714	43	32	11	13	116	88	144	123	215	431	517	561	558	561	536	588	680	677	646	702	693	30	27	12	10	537	425	466	474	732	1455	2153	2185	2097	2139	2179	2466	2442	2594	2569	2762	2748	947	115	64	44	14	14	14																																																																																																																																						
45-00	---												---												---																																																																																																																																																																																																																																																		
TOT	537												425												466												474												732												1455												2153												2185												2097												2139												2179												2466												2442												2594												2569												2762												2748												947												115												64												44												14												24453	24453	24453

Tube up

Tube up

TRIP SYSTEM
15 MINUTE TRAFFIC COUNT SUMMARY

SR 005 MP 017.22 OFF SYSTEM ID. LEG 2 DIRECTION OF TRAFFIC SOUTHBOUND LANE 12 OF 2

COUNT IDENTIFIER 05-006 COUNTER NUMBER 001699 DESCRIPTION: ON SR 5 N/O NW 319TH ST//LA CENTER RD I/C

03/24/05 THURSDAY		AM HOURS												PM HOURS												DAILY TOTAL
TIME	COUNT	1	2	3	4	5	6	7	8	9	10	11	12	1	2	3	4	5	6	7	8	9	10	11	12	TOTAL
00-15	171	139	115	129	179	299	539	474	543	513	585	637	637	699	662	691	781	768	581	516	358	378	264	181		
15-30	130	107	132	138	209	341	558	593	574	553	618	636	715	647	725	776	776	671	551	465	414	336	266	204		
30-45	113	108	107	118	185	377	576	549	568	637	642	664	735	680	780	784	713	539	412	347	296	213	179			
45-00	117	98	105	166	209	449	526	493	522	559	619	655	644	724	703	718	752	601	500	417	312	290	201	136		
TOT	531	452	459	551	782	1466	2199	2109	2163	2214	2394	2552	2581	2873	2692	2914	3093	2753	2171	1810	1431	1300	944	700	43134	

03/25/05 FRIDAY		AM HOURS												PM HOURS												DAILY TOTAL
TIME	COUNT	1	2	3	4	5	6	7	8	9	10	11	12	1	2	3	4	5	6	7	8	9	10	11	12	TOTAL
00-15	170	123	81	103	151	259	420																			
15-30	135	112	118	108	184	280	473																			
30-45	152	99	156	159	168	348																				
45-00	113	145	149	136	202	377																				
TOT	570	479	504	506	705	1264	893																			4921

03/21/05 THRU 03/25/05 TOTAL HOURS FOR COUNT 76

2 DAYS 43448 FACTOR GROUP R045 47117 FACTOR GROUP R045 35903
AVG WEEKDAY VOL 43134 X SEASONAL ADJ. FACTOR 1.1100 = 47879 X AXLE CORR FACTOR 0.7620 = ESTIMATED AVG DAILY TRAFFIC 36484

SR 005 MP 017.22 OFF SYSTEM ID. LEG 2 DIRECTION OF TRAFFIC NORTHBOUND LANE ALL OF
COUNT IDENTIFIER 05-006 COUNTER NUMBER 003553 DESCRIPTION: ON SR 5 N/O NW 319TH ST/LA CENTER RD I/C

03/21/05 MONDAY	AM HOURS												PM HOURS												DAILY TOTAL
	1	2	3	4	5	6	7	8	9	10	11	12	1	2	3	4	5	6	7	8	9	10	11	12	
12	1	2	3	4	5	6	7	8	9	10	11	12	1	2	3	4	5	6	7	8	9	10	11	12	19960
1	2	3	4	5	6	7	8	9	10	11	12	1	2	3	4	5	6	7	8	9	10	11	12		
TOT	601	520	514	509	795	1191	1998	2410	2275	2471	2548	2477	2601	2472	2491	2653	2537	2398	2216	1805	1314	1084	817	718	41415

AM PEAK HOUR 0000 TO 0000 VOLUME 0
PM PEAK HOUR 0345 TO 0445 VOLUME 2772

03/22/05 TUESDAY	AM HOURS												PM HOURS												DAILY TOTAL
	1	2	3	4	5	6	7	8	9	10	11	12	1	2	3	4	5	6	7	8	9	10	11	12	
12	1	2	3	4	5	6	7	8	9	10	11	12	1	2	3	4	5	6	7	8	9	10	11	12	19960
1	2	3	4	5	6	7	8	9	10	11	12	1	2	3	4	5	6	7	8	9	10	11	12		
TOT	479	446	492	495	708	1087	1834	2383	2316	2418	2515	2478	2422	2328	2518	2686	2859	2488	2066	1544	1326	1102	857	645	40492

AM PEAK HOUR 1015 TO 1115 VOLUME 2575
PM PEAK HOUR 0400 TO 0500 VOLUME 2859

03/23/05 WEDNESDAY	AM HOURS												PM HOURS												DAILY TOTAL
	1	2	3	4	5	6	7	8	9	10	11	12	1	2	3	4	5	6	7	8	9	10	11	12	
12	1	2	3	4	5	6	7	8	9	10	11	12	1	2	3	4	5	6	7	8	9	10	11	12	18309
1	2	3	4	5	6	7	8	9	10	11	12	1	2	3	4	5	6	7	8	9	10	11	12		
TOT	601	520	514	509	795	1191	1998	2410	2275	2471	2548	2477	2601	2472	2491	2653	2537	2398	2216	1805	1314	1084	817	718	41415

AM PEAK HOUR 1015 TO 1115 VOLUME 2569
PM PEAK HOUR 0330 TO 0430 VOLUME 2701

STATE OF WASHINGTON - DEPARTMENT OF TRANSPORTATION
TRIP SYSTEM
15 MINUTE TRAFFIC COUNT SUMMARY

SR 005 MP 017.22 OFF SYSTEM ID. LEG 2 DIRECTION OF TRAFFIC NORTHBOUND LANE ALL OF
COUNT IDENTIFIER 05-006 COUNTER NUMBER 003553 DESCRIPTION: ON SR 5 N/O NW 319TH ST/LA CENTER RD I/C

03/24/05 THURSDAY		AM HOURS												PM HOURS												DAILY TOTAL
TIME	COUNT	1	2	3	4	5	6	7	8	9	10	11	12	1	2	3	4	5	6	7	8	9	10	11	12	
00-15	165	163	161	156	127	236	375	518	555	637	719	660	687	686	693	716	698	680	607	415	389	323	302	202		
15-30	174	116	155	167	189	299	457	541	628	648	657	678	686	701	683	730	713	682	566	439	378	311	264	183		
30-45	150	141	149	150	172	319	555	671	617	700	701	692	597	728	710	732	719	563	477	447	309	296	248	104		
45-00	191	91	157	188	160	378	489	637	653	656	678	649	652	683	691	710	688	640	502	358	292	262	200	265		
TOT	680	511	622	661	648	1232	1876	2367	2453	2641	2755	2679	2622	2798	2777	2888	2818	2565	2152	1659	1368	1192	1014	754	43732	
									AM PEAK HOUR 1000 TO 1100 VOLUME 2755													AM TOTAL 19125				
									PM PEAK HOUR 0300 TO 0400 VOLUME 2888													PM TOTAL 24607				

03/25/05 FRIDAY		AM HOURS												PM HOURS												DAILY TOTAL	
TIME	COUNT	1	2	3	4	5	6	7	8	9	10	11	12	1	2	3	4	5	6	7	8	9	10	11	12		
00-15	210	116	159	154	183	263	367	500																			
15-30	188	111	129	173	189	261	420																				
30-45	133	136	180	116	195	310	441																				
45-00	145	148	131	144	231	313	454																				
TOT	676	511	599	587	798	1147	1682	500																		6500	
									AM PEAK HOUR 0615 TO 0715 VOLUME 1815														AM TOTAL 6500				
									PM PEAK HOUR 0000 TO 0000 VOLUME 0														PM TOTAL 0				

03/21/05 THRU 03/25/05
TOTAL HOURS FOR COUNT 90

3 DAYS AVG WEEKDAY VOL 41880 X SEASONAL ADJ. FACTOR 1.1100 = 46487 X AXLE CORR FACTOR 0.7620 = ESTIMATED AVG DAILY TRAFFIC 35423

FACTOR GROUP R045

FACTOR GROUP R045

TRIP SYSTEM
15 MINUTE TRAFFIC COUNT SUMMARY

SR 005 MP 017.22 OFF SYSTEM ID. LEG 2 DIRECTION OF TRAFFIC BOTH WAYS LANE ALL OF

COUNT IDENTIFIER 05-006 COUNTER NUMBER 003553 DESCRIPTION: ON SR 5 N/O NW 319TH ST/LA CENTER RD I/C

03/21/05 MONDAY		AM HOURS												PM HOURS												DAILY TOTAL	
TIME	COUNT	1	2	3	4	5	6	7	8	9	10	11	12	1	2	3	4	5	6	7	8	9	10	11	12	TOT	TOT
00-15	12	1	2	3	4	5	6	7	8	9	10	11	12	1	2	3	4	5	6	7	8	9	10	11	12	1273	41020
15-30	1																										
30-45																											
45-00																											
TOT																											

AM PEAK HOUR 0000 TO 0000 VOLUME 0
PM PEAK HOUR 0330 TO 0430 VOLUME 5520

03/22/05 TUESDAY		AM HOURS												PM HOURS												DAILY TOTAL	
TIME	COUNT	1	2	3	4	5	6	7	8	9	10	11	12	1	2	3	4	5	6	7	8	9	10	11	12	TOT	TOT
00-15	12	1	2	3	4	5	6	7	8	9	10	11	12	1	2	3	4	5	6	7	8	9	10	11	12	1016	69795
15-30	1																										
30-45																											
45-00																											
TOT																											

AM PEAK HOUR 1100 TO 1200 VOLUME 4944
PM PEAK HOUR 0330 TO 0430 VOLUME 5618

03/23/05 WEDNESDAY		AM HOURS												PM HOURS												DAILY TOTAL	
TIME	COUNT	1	2	3	4	5	6	7	8	9	10	11	12	1	2	3	4	5	6	7	8	9	10	11	12	TOT	TOT
00-15	12	1	2	3	4	5	6	7	8	9	10	11	12	1	2	3	4	5	6	7	8	9	10	11	12	1016	69795
15-30	1																										
30-45																											
45-00																											
TOT																											

AM PEAK HOUR 1100 TO 1200 VOLUME 4983
PM PEAK HOUR 0330 TO 0430 VOLUME 5590

Tube up SB

Tube up SB

Tube up SB

Tube up SB

Tube up SB

SR 005 MP 017.22 OFF SYSTEM ID. LEG 2 DIRECTION OF TRAFFIC BOTH WAYS LANE ALL OF

COUNT IDENTIFIER 05-006 COUNTER NUMBER 003553 DESCRIPTION: ON SR 5 N/O NW 319TH ST/LA CENTER RD I/C

03/24/05 THURSDAY	AM HOURS												PM HOURS	DAILY TOTAL											
	1	2	3	4	5	6	7	8	9	10	11	12													
12	1	2	3	4	5	6	7	8	9	10	11	12	1	2	3	4	5	6	7	8	9	10	11	12	10026
TOT	1211	963	1081	1212	1430	2698	4075	4476	4616	4855	5149	5231	5203	5671	5469	5802	5911	5318	4323	3469	2799	2492	1958	1454	86866

AM PEAK HOUR 1100 TO 1200 VOLUME 5231
PM PEAK HOUR 0400 TO 0500 VOLUME 5911
AM TOTAL 36997
PM TOTAL 49869

03/25/05 FRIDAY	AM HOURS												PM HOURS	DAILY TOTAL											
	1	2	3	4	5	6	7	8	9	10	11	12													
12	1	2	3	4	5	6	7	8	9	10	11	12	1	2	3	4	5	6	7	8	9	10	11	12	10026
TOT	1246	990	1103	1093	1503	2411	1680																		10026

AM PEAK HOUR 0530 TO 0630 VOLUME 3028
PM PEAK HOUR 0000 TO 0000 VOLUME 0
AM TOTAL 10026
PM TOTAL 0

03/21/05 THRU 03/25/05
TOTAL HOURS FOR COUNT 75

2 ~~4~~ DAYS 84692 FACTOR GROUP R045 94008 FACTOR GROUP R045 71634
 AVG WEEKDAY VOL 86866 X SEASONAL ADJ. FACTOR 1.1100 = 96421 X AXLE CORR FACTOR 0.7620 = ESTIMATED AVG DAILY TRAFFIC 73473
 PEAK HOUR PERCENTAGES: K = 6.80 D = 52.33
 PEAK HOUR LOCATION : VOLUME = 5911 DATE: 03/24/05 TIME: 04:00 PM

NOTE: COUNT HIGH (?)



Interval 60 min. 15 min.

Count(volume) Speed

Binned(CL/SP) Raw

Lane No 1 2

Direction Channel 1 _____

Direction Channel 2 _____

Data Hog # 7064

Counter No. 3541-13 Count ID SP#05-006

SR 005 RRT/RRQ _____ MP 16.40

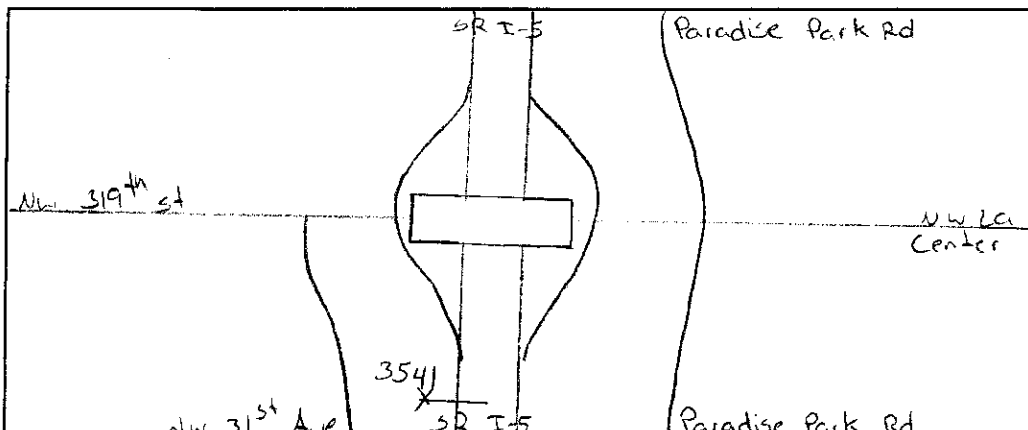
Leg 1 Direction SB OSID _____

Station Description ON SR I-5 S/O 319th St / La Center Rd Interchange

ON SR 5 S/O NW 319TH ST / LA CENTER RD I/C

Date	Day	Time	Comments
3-21-05	2	13:29	Manual (1) 10 (2) _____ Set Ok Counter (1) 10 (2) _____ CS/MD 6.4V
3-22-05	3	8:11	Manual (1) 52 (2) _____ Check Ok sp=2 Counter (1) 50 (2) _____ CS/MD 6.4V
3-23-05	4	10:55	Manual (1) 50 (2) _____ Check Ok Counter (1) 50 (2) _____ CS/MD 6.4V
3-24-05	5	8:28	Manual (1) 50 (2) _____ Check Ok Counter (1) 50 (2) _____ CS/MD 6.4V
3-25-05	6	6:45	Manual (1) 5 (2) _____ Pick Up Counter (1) 5 (2) _____ CS/MD 6.4V

Sketch



C. Shelton / M. Dietz
Field Person



Interval 60 min. 15 min.

Count(volume) Speed

Binned(CL/SP) Raw

Lane No 1 2

Direction Channel 1 NB LANE 2 OF 2

Direction Channel 2 NB LANE 1 OF 2

Data Hog # 7064

Counter No. 3442-13 Count ID SP#05-006

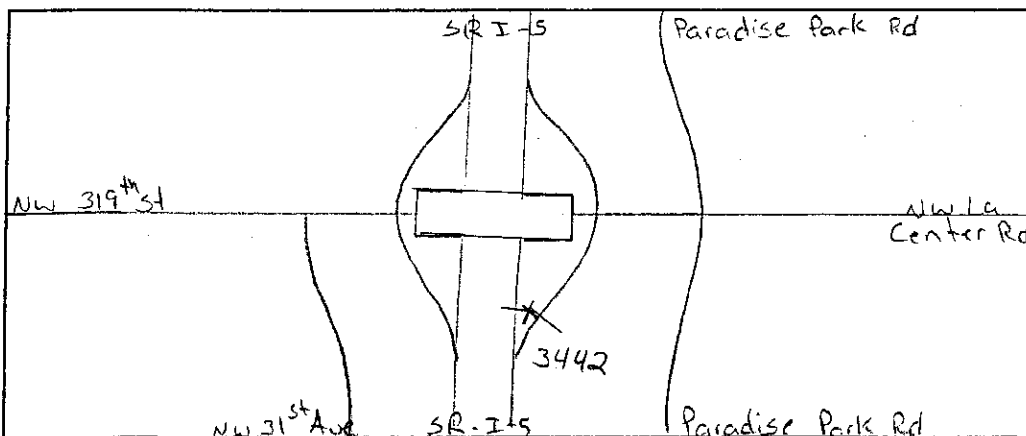
SR 005 RRT/RRQ MP 16.40

Leg 1 Direction See 1,2 OSID

Station Description - ON Lane 1 = Main Line ON SR 5 S/O NW 319TH ST/LA CENTER RD I/C
 Lane 2 = 005 P1 0655

Date	Day	Time	Comments
3-21-05	2	13:42	Manual (1) 10 (2) 5 Set Ok Counter (1) 10 (2) 5 CS/MD 6.8V
3-22-05	3	8:36	Manual (1) 55 (2) 4 Check Ok sp=5 Counter (1) 50 (2) 4 CS/MD 6.6V
3-23-05	4	5:14	Manual (1) 30 (2) 2 Check Ok Counter (1) 30 (2) 2 CS/MD 6.6V
3-24-05	5	9:46	Manual (1) 51 (2) 3 Check Ok Counter (1) 50 (2) 3 CS/MD 6.6V
3-25-05	6	7:12	Manual (1) 1 (2) 4 Pick Up Counter (1) 1 (2) 4 CS/MD 6.6V

Sketch



G. Shelton / M. Diptz
Field Person

TRIP SYSTEM
15 MINUTE TRAFFIC COUNT SUMMARY

SR 005 MP 016.40 OFF SYSTEM ID. LEG 1 DIRECTION OF TRAFFIC SOUTHBOUND LANE ALL OFF

COUNT IDENTIFIER 05-006 COUNTER NUMBER 003541 DESCRIPTION: ON SR 5 S/O NW 319TH ST/LA CENTER RD I/C

03/21/05 MONDAY	AM HOURS												PM HOURS												DAILY TOTAL
	1	2	3	4	5	6	7	8	9	10	11	12	1	2	3	4	5	6	7	8	9	10	11	12	
12	1	2	3	4	5	6	7	8	9	10	11	12	1	2	3	4	5	6	7	8	9	10	11	12	20438
755 697 714 700 541 437 295 283 318 227												694 747 735 699 624 385 286 231 211 188												544 774 799 784 612 553 351 293 243 183 184	
746 662 724 751 620 438 356 342 272 239 201												1290 2885 2967 2984 2631 2156 1529 1216 1029 951 800												20438	
AM PEAK HOUR 0000 TO 0000 VOLUME 0												AM PEAK HOUR 0400 TO 0500 VOLUME 2984												AM TOTAL 0	
PM PEAK HOUR 0000 TO 0000 VOLUME 0												PM PEAK HOUR 0400 TO 0500 VOLUME 2984												PM TOTAL 20438	

03/22/05 TUESDAY	AM HOURS												PM HOURS												DAILY TOTAL
	1	2	3	4	5	6	7	8	9	10	11	12	1	2	3	4	5	6	7	8	9	10	11	12	
12	1	2	3	4	5	6	7	8	9	10	11	12	1	2	3	4	5	6	7	8	9	10	11	12	34520
158 122 109 121 175 316 624 633 611 597 570 689 630 651 710 735 749 710	154 146 117 155 193 399 626 642 595 545 649 617 641 688 664 708 715 150	172 108 121 125 239 460 697 718 606 620 548 701 622 708 671 748 725	128 96 159 147 238 507 636 661 598 605 595 614 727 739 692 738 737	612 472 506 548 845 1682 2583 2654 2410 2367 2362 2621 2620 2786 2737 2929 2926 860	TUBE UP												AM TOTAL 19662								
AM PEAK HOUR 0700 TO 0800 VOLUME 2654												AM PEAK HOUR 0350 TO 0430 VOLUME 2950												PM TOTAL 14858	

03/23/05 WEDNESDAY	AM HOURS												PM HOURS												DAILY TOTAL
	1	2	3	4	5	6	7	8	9	10	11	12	1	2	3	4	5	6	7	8	9	10	11	12	
12	1	2	3	4	5	6	7	8	9	10	11	12	1	2	3	4	5	6	7	8	9	10	11	12	27905
646 678 664 685 707 667 726 592 433 339 313 266 221												630 669 728 740 767 775 764 577 453 372 321 235 196												672 682 701 682 787 740 681 486 400 323 248 191	
32 666 674 692 702 740 722 692 533 384 353 267 233 153												32 2614 2703 2785 2809 3001 2904 2863 2188 1670 1369 1224 982 761												AM TOTAL 2646	
AM PEAK HOUR 1100 TO 1200 VOLUME 2614												AM PEAK HOUR 0300 TO 0400 VOLUME 3001												PM TOTAL 25259	

SR 005	MP 016.40	OFF SYSTEM ID.	LEG 1	DIRECTION OF TRAFFIC	NORTHBOUND	LANE 1	OF 2						
COUNT IDENTIFIER	05-006	COUNTER NUMBER	003442	DESCRIPTION: ON SR 5 S/O NW 319TH ST/LA CENTER RD I/C									
03/21/05 MONDAY		AM HOURS		PM HOURS		AM TOTAL	PM TOTAL	DAILY TOTAL					
12	1	2	3	4	5	6	7	8	9	10	11	12	TOTAL
	1	2	3	4	5	6	7	8	9	10	11	12	
00-15													
15-30													
30-45													
45-00													
HOUR													
TOT													3445

03/22/05 TUESDAY		AM HOURS		PM HOURS		AM TOTAL	PM TOTAL	DAILY TOTAL					
12	1	2	3	4	5	6	7	8	9	10	11	12	TOTAL
	1	2	3	4	5	6	7	8	9	10	11	12	
00-15													
15-30													
30-45													
45-00													
HOUR													
TOT													5566

03/23/05 WEDNESDAY		AM HOURS		PM HOURS		AM TOTAL	PM TOTAL	DAILY TOTAL					
12	1	2	3	4	5	6	7	8	9	10	11	12	TOTAL
	1	2	3	4	5	6	7	8	9	10	11	12	
00-15													
15-30													
30-45													
45-00													
HOUR													
TOT													5679

	AM PEAK HOUR 1045 TO 1145 VOLUME	278
	PM PEAK HOUR 0500 TO 0600 VOLUME	671

STATE OF WASHINGTON - DEPARTMENT OF TRANSPORTATION
TRIP SYSTEM
15 MINUTE TRAFFIC COUNT SUMMARY

SR 005 MP 016.40 OFF SYSTEM ID. LEG 1 DIRECTION OF TRAFFIC NORTHBOUND LANE 1 OF 2

COUNT IDENTIFIER 05-006 COUNTER NUMBER 003442 DESCRIPTION: ON SR 5 S/O NW 319TH ST/LA CENTER RD I/C

03/24/05 THURSDAY		AM HOURS											PM HOURS					DAILY TOTAL								
TIME	COUNT	1	2	3	4	5	6	7	8	9	10	11	12	1	2	3	4	5	6	7	8	9	10	11	12	
00-15	12	1	2	3	4	5	6	7	8	9	10	11	12	1	2	3	4	5	6	7	8	9	10	11	12	1683
15-30	1																									4252
30-45	18	14	9	21	11	13	12	55	45	43	60	80	83	66	86	100	122	158	124	83	83	59	53	38		
45-00	20	12	10	7	8	15	23	35	47	73	70	71	66	99	106	137	194	123	97	78	70	48	30	30		
TOT	93	51	32	48	36	52	109	236	204	250	259	313	291	316	384	472	537	624	452	332	278	255	177	134	5935	
		AM PEAK HOUR 1100 TO 1200 VOLUME 313											AM PEAK HOUR 0445 TO 0545 VOLUME 631					AM TOTAL 1683								
		PM PEAK HOUR 0445 TO 0545 VOLUME 631																PM TOTAL 4252								

03/25/05 FRIDAY		AM HOURS											PM HOURS					DAILY TOTAL								
TIME	COUNT	1	2	3	4	5	6	7	8	9	10	11	12	1	2	3	4	5	6	7	8	9	10	11	12	
00-15	12	1	2	3	4	5	6	7	8	9	10	11	12	1	2	3	4	5	6	7	8	9	10	11	12	115
15-30	1																									0
30-45	34	6	10	12	16	11	11	12	45	47	73	70	71	66	99	106	137	194	123	97	78	70	48	30		
45-00	20	18	10	8	14	9	11	42	25	19	11	14	42	11	11	14	42	11	11	14	42	11	11	14		
TOT	99	52	39	45	33	43	115																		426	
		AM PEAK HOUR 0600 TO 0700 VOLUME 115											AM PEAK HOUR 0000 TO 0000 VOLUME 0					AM TOTAL 426								
																		PM TOTAL 0								

SR 005 MP 016.40 OFF SYSTEM ID. LEG 1 DIRECTION OF TRAFFIC NORTHBOUND LANE 2 OF 2

COUNT IDENTIFIER 05-006 COUNTER NUMBER 003442 DESCRIPTION: ON SR 5 S/O NW 319TH ST/LA CENTER RD I/C

03/21/05	MONDAY												AM TOTAL	PM TOTAL	DAILY TOTAL										
	AM HOURS																								
	1	2	3	4	5	6	7	8	9	10	11	12		1	2	3	4	5	6	7	8	9	10	11	12
00-15	12	1	2	3	4	5	6	7	8	9	10	11	12	674	549	645	619	487	364	318	249	175	133		
15-30	1	2	3	4	5	6	7	8	9	10	11	12	562	613	651	606	463	317	269	245	174	153			
30-45													583	680	634	522	475	322	295	249	204	138			
45-00													651	575	681	616	491	369	318	274	192	158	107		
HOUR													651	2394	2523	2546	2238	1794	1321	1156	935	711	531	16800	
TOT													AM PEAK HOUR 0000 TO 0000 VOLUME 0	PM PEAK HOUR 0330 TO 0430 VOLUME 2657	AM TOTAL 0	PM TOTAL 16800									

03/22/05	TUESDAY												AM TOTAL	PM TOTAL	DAILY TOTAL										
	AM HOURS																								
	1	2	3	4	5	6	7	8	9	10	11	12		1	2	3	4	5	6	7	8	9	10	11	12
00-15	12	1	2	3	4	5	6	7	8	9	10	11	12	562	549	645	619	487	364	318	249	175	133		
15-30	1	2	3	4	5	6	7	8	9	10	11	12	494	597	669	597	468	317	269	245	174	153			
30-45													579	623	585	575	429	317	269	245	174	153			
45-00													535	595	608	564	422	317	269	245	174	153			
HOUR													535	595	608	564	422	317	269	245	174	153	107		
TOT	459	419	478	457	679	1021	1743	2283	2170	2278	2390	2320	2202	2446	2533	2716	2374	1945	1474	1256	1065	838	630	38496	
													AM PEAK HOUR 1015 TO 1115 VOLUME 2423	PM PEAK HOUR 0400 TO 0500 VOLUME 2716	AM TOTAL 2423	PM TOTAL 2716									

03/23/05	WEDNESDAY												AM TOTAL	PM TOTAL	DAILY TOTAL														
	AM HOURS																												
	1	2	3	4	5	6	7	8	9	10	11	12		1	2	3	4	5	6	7	8	9	10	11	12				
00-15	12	1	2	3	4	5	6	7	8	9	10	11	12	587	561	549	559	624	546	565	574	602	588	517	459	304	283	201	214
15-30	1	2	3	4	5	6	7	8	9	10	11	12	545	597	669	597	468	317	269	245	174	153							
30-45													604	498	641	601	597	598	627	614	642	570	602	544	416	300	255	203	168
45-00													524	562	609	615	577	603	638	677	610	525	554	345	316	245	209	139	
HOUR													524	562	609	615	577	603	638	677	610	525	554	345	316	245	209	139	
TOT	575	502	505	485	747	1149	1889	2257	2154	2361	2428	2368	2487	2338	2397	2525	2422	2308	2151	1725	1278	1054	795	699	39599				
													AM PEAK HOUR 1015 TO 1115 VOLUME 2438	PM PEAK HOUR 0330 TO 0430 VOLUME 2561	AM TOTAL 2438	PM TOTAL 2561													

15 MINUTE TRAFFIC COUNT SUMMARY

SR 005 MP 016.40 OFF SYSTEM ID. LEG 1 DIRECTION OF TRAFFIC NORTHBOUND LANE 2 OF 2

COUNT IDENTIFIER 05-006 COUNTER NUMBER 003442 DESCRIPTION: ON SR 5 S/O NW 319TH ST/LA CENTER RD I/C

03/24/05 THURSDAY	AM HOURS												PM HOURS												DAILY TOTAL	
	1	2	3	4	5	6	7	8	9	10	11	12	1	2	3	4	5	6	7	8	9	10	11	12		
00-15	12	1	2	3	4	5	6	7	8	9	10	11	12	1	2	3	4	5	6	7	8	9	10	11	12	194
15-30	160	155	162	148	110	232	375	493	535	620	694	612	668	680	655	679	676	653	580	387	377	320	298	194		
30-45	166	104	154	151	177	290	428	532	597	630	628	651	641	689	653	688	668	662	542	417	371	308	247	177		
45-00	152	133	139	142	163	288	539	630	602	663	680	653	602	702	693	674	666	525	462	436	305	280	238	101		
TOT	667	482	609	627	593	1166	1780	2260	2344	2526	2673	2527	2525	2737	2658	2732	2676	2434	2073	1593	1341	1161	983	731	41898	
									AM PEAK HOUR 1000 TO 1100 VOLUME												AM TOTAL			18254		
									PM PEAK HOUR 0100 TO 0200 VOLUME													PM TOTAL			23644	

03/25/05 FRIDAY	AM HOURS												PM HOURS												DAILY TOTAL	
	1	2	3	4	5	6	7	8	9	10	11	12	1	2	3	4	5	6	7	8	9	10	11	12		
00-15	12	1	2	3	4	5	6	7	8	9	10	11	12	1	2	3	4	5	6	7	8	9	10	11	12	405
15-30	199	123	148	144	177	259	356	493	535	620	694	612	668	680	655	679	676	653	580	387	377	320	298	194		
30-45	188	111	119	160	197	251	405	532	597	630	628	651	641	689	653	688	668	662	542	417	371	308	247	177		
45-00	125	133	176	111	170	294	423	630	602	663	680	653	602	702	693	674	666	525	462	436	305	280	238	101		
TOT	652	513	581	549	755	1110	1615	2260	2344	2526	2673	2527	2525	2737	2658	2732	2676	2434	2073	1593	1341	1161	983	731	41898	
									AM PEAK HOUR 0600 TO 0700 VOLUME													AM TOTAL			5775	
									PM PEAK HOUR 0000 TO 0000 VOLUME														PM TOTAL			0

TRIP SYSTEM
15 MINUTE TRAFFIC COUNT SUMMARY

SR 005 MP 016.40 OFF SYSTEM ID. LEG 1 DIRECTION OF TRAFFIC NORTHBOUND LANE 12 OF 2

COUNT IDENTIFIER 05-006 COUNTER NUMBER 003442 DESCRIPTION: ON SR 5 S/O NW 319TH ST/LA CENTER RD I/C

03/21/05	MONDAY												AM PEAK HOUR 0000 TO 0430 VOLUME	PM PEAK HOUR 0330 TO 0430 VOLUME	AM TOTAL	PM TOTAL	DAILY TOTAL								
	1	2	3	4	5	6	7	8	9	10	11	12													
00-15	12	1	2	3	4	5	6	7	8	9	10	11	12												
15-30	1	2	3	4	5	6	7	8	9	10	11	12		746	634	760	749	612	437	381	308	211	161		
30-45														645	713	801	766	572	375	333	302	207	183		
45-00														656	798	767	702	596	405	345	306	240	160		
HOUR														737	690	809	753	637	478	388	336	236	185	125	
TOT														737	2737	2954	3081	2854	2258	1605	1395	1152	843	629	20245

03/22/05	TUESDAY												AM PEAK HOUR 0000 TO 0430 VOLUME	PM PEAK HOUR 0330 TO 0430 VOLUME	AM TOTAL	PM TOTAL	DAILY TOTAL													
	1	2	3	4	5	6	7	8	9	10	11	12																		
00-15	12	1	2	3	4	5	6	7	8	9	10	11	12																	
15-30	1	2	3	4	5	6	7	8	9	10	11	12		583	615	579	626	587	663	702	791	751	613	494	441	329	255	188		
30-45														535	628	635	631	643	627	662	694	820	802	669	449	336	362	240	209	
45-00														634	635	688	642	641	672	711	836	804	768	619	398	394	264	263	181	
HOUR														575	656	678	638	697	608	740	781	840	714	520	428	345	297	225	142	
TOT														2359	2498	2627	2584	2607	2494	2776	3013	3255	3035	2421	1769	1516	1252	983	720	44062

03/23/05	WEDNESDAY												AM PEAK HOUR 1015 TO 1115 VOLUME	PM PEAK HOUR 0400 TO 0500 VOLUME	AM TOTAL	PM TOTAL	DAILY TOTAL												
	1	2	3	4	5	6	7	8	9	10	11	12																	
00-15	12	1	2	3	4	5	6	7	8	9	10	11	12																
15-30	1	2	3	4	5	6	7	8	9	10	11	12		639	608	593	632	695	624	652	728	742	639	554	364	352	235	237	
30-45														605	639	723	662	756	639	662	725	768	765	662	595	419	330	209	199
45-00														552	713	670	676	688	711	704	753	708	800	662	498	353	314	243	207
HOUR														559	605	670	670	669	687	728	826	736	672	656	426	370	293	244	179
TOT														2355	2565	2640	2808	2661	2746	2964	2940	2979	2619	2073	1506	1289	931	822	45278

AM PEAK HOUR 1015 TO 1115 VOLUME 2695
PM PEAK HOUR 0330 TO 0430 VOLUME 3085
AM TOTAL 18940
PM TOTAL 26338

SR 005 MP 016.40 OFF SYSTEM ID. LEG 1 DIRECTION OF TRAFFIC NORTHBOUND LANE 12 OF 2

COUNT IDENTIFIER 05-006 COUNTER NUMBER 003442 DESCRIPTION: ON SR 5 S/O NW 319TH ST/LA CENTER RD 1/C

03/24/05 THURSDAY		AM HOURS												PM HOURS					DAILY TOTAL							
		1	2	3	4	5	6	7	8	9	10	11	12	1	2	3	4	5	6	7	8	9	10	11	12	
00-15	185	177	171	169	121	245	387	548	580	663	754	692	751	748	741	779	798	811	704	470	460	379	351	232		
15-30	184	118	164	158	185	305	451	567	644	703	701	721	712	755	752	794	805	856	665	514	449	378	295	207		
30-45	182	145	145	156	175	300	566	698	662	736	744	667	796	793	809	800	660	560	528	363	348	273	131			
45-00	209	93	161	192	148	368	485	683	662	674	733	677	686	754	756	822	810	731	596	413	347	311	241	295		
TOT	760	533	641	675	629	1218	1889	2496	2548	2776	2932	2840	2816	3053	3042	3204	3213	3058	2525	1925	1619	1416	1160	865	47833	

AM PEAK HOUR 1000 TO 1100 VOLUME 2932
 PM PEAK HOUR 0430 TO 0530 VOLUME 3277
 AM TOTAL 19937
 PM TOTAL 27896

03/25/05 FRIDAY		AM HOURS												PM HOURS					DAILY TOTAL							
		1	2	3	4	5	6	7	8	9	10	11	12	1	2	3	4	5	6	7	8	9	10	11	12	
00-15	233	129	158	156	182	270	368																			
15-30	208	129	129	176	205	258	424																			
30-45	145	142	184	125	179	305	465																			
45-00	165	165	149	137	222	320	473																			
TOT	751	565	620	594	788	1153	1730																		6201	

AM PEAK HOUR 0600 TO 0700 VOLUME 1730
 PM PEAK HOUR 0000 TO 0000 VOLUME 0
 AM TOTAL 6201
 PM TOTAL 0

03/21/05 THRU 03/25/05
 TOTAL HOURS FOR COUNT 89

3 DAYS AVG WEEKDAY VOL 45724 X SEASONAL ADJ. FACTOR 1.1100 = 50754
 FACTOR GROUP R045
 3 DAYS AVG WEEKDAY VOL 45724 X SEASONAL ADJ. FACTOR 1.1100 = 50754 X AXLE CORR FACTOR 0.7620 = ESTIMATED AVG DAILY TRAFFIC 38675

SR 005 MP 016.40 OFF SYSTEM ID. LEG 1 DIRECTION OF TRAFFIC BOTH WAYS LANE ALL OF
 COUNT IDENTIFIER 05-006 COUNTER NUMBER 003442 DESCRIPTION: ON SR 5 S/O NW 319TH ST/LA CENTER RD I/C

03/21/05	MONDAY												DAILY TOTAL											
	AM HOURS																							
00-15	12	1	2	3	4	5	6	7	8	9	10	11	12											
12	1	2	3	4	5	6	7	8	9	10	11	12	1	2	3	4	5	6	7	8	9	10	11	12
TOT	1483 5622 5921 6065 5485 4414 3134 2611 2181 1794 1429 40139												0											
AM PEAK HOUR 0000 TO 0000 VOLUME 6140													0											
PM PEAK HOUR 0330 TO 0430 VOLUME 6140													0											

03/22/05	TUESDAY												DAILY TOTAL											
	AM HOURS																							
00-15	12	1	2	3	4	5	6	7	8	9	10	11	12											
12	1	2	3	4	5	6	7	8	9	10	11	12	1	2	3	4	5	6	7	8	9	10	11	12
TOT	1163 947 1014 1056 1550 2737 4457 5131 4769 4865 4989 5205 5227 5280 5513 5942 6181 3895												69921											
AM PEAK HOUR 1045 TO 1145 VOLUME 5226													5226											
PM PEAK HOUR 0400 TO 0500 VOLUME 6181													6181											

03/23/05	WEDNESDAY												DAILY TOTAL											
	AM HOURS																							
00-15	12	1	2	3	4	5	6	7	8	9	10	11	12											
12	1	2	3	4	5	6	7	8	9	10	11	12	1	2	3	4	5	6	7	8	9	10	11	12
TOT	2688 5254 5511 5446 5555 5965 5844 5842 4807 3743 2875 2513 1913 1583 59539												59539											
AM PEAK HOUR 1100 TO 1200 VOLUME 5254													5254											
PM PEAK HOUR 0330 TO 0430 VOLUME 6054													6054											

AM TOTAL 7942
 PM TOTAL 51597

STATE OF WASHINGTON - DEPARTMENT OF TRANSPORTATION
TRAFFIC SYSTEM
15 MINUTE TRAFFIC COUNT SUMMARY

SR 005 MP 016.40 OFF SYSTEM ID. LEG 1 DIRECTION OF TRAFFIC BOTH WAYS LANE ALL OF
COUNT IDENTIFIER 05-006 COUNTER NUMBER 003442 DESCRIPTION: ON SR 5 S/O NW 319TH ST/LA CENTER RD I/C

03/24/05 THURSDAY	AM HOURS												PM HOURS												DAILY TOTAL	
	1	2	3	4	5	6	7	8	9	10	11	12	1	2	3	4	5	6	7	8	9	10	11	12		
00-15	368	326	291	307	324	545	1002	1122	1217	1232	1378	1359	1442	1492	1449	1543	1614	1601	1288	1022	842	770	634	449	94618	
15-30	328	233	300	313	424	696	1095	1276	1284	1317	1323	1399	1340	1522	1462	1562	1626	1553	1243	1020	900	735	605	417		
30-45	322	275	266	292	377	718	1204	1356	1300	1346	1449	1422	1406	1584	1507	1621	1637	1415	1115	983	740	665	492	349		
45-00	340	207	280	360	386	859	1113	1274	1249	1308	1391	1353	1369	1485	1491	1585	1619	1384	1110	838	682	607	463	434		
HOUR																										
TOT	1358	1041	1137	1272	1511	2818	4414	5028	5050	5203	5541	5533	5557	6083	5909	6311	6496	5953	4756	3863	3164	2777	2194	1649		
									AM PEAK HOUR	1030 TO	1130 VOLUME	5598										AM TOTAL	39906			
									PM PEAK HOUR	0400 TO	0500 VOLUME	6496										PM TOTAL	54712			

03/25/05 FRIDAY	AM HOURS												PM HOURS												DAILY TOTAL	
	1	2	3	4	5	6	7	8	9	10	11	12	1	2	3	4	5	6	7	8	9	10	11	12		
00-15	433	275	256	276	353	552	858	102174																	77857	
15-30	355	243	255	298	425	561	999																			
30-45	319	278	329	286	379	711																				
45-00	292	319	328	304	452	775																				
HOUR																										
TOT	1399	1115	1168	1164	1609	2599	1857																			
								AM PEAK HOUR	0530 TO	0630 VOLUME	3343															
								PM PEAK HOUR	0000 TO	0000 VOLUME	0															

03/21/05 THRU 03/25/05 TOTAL HOURS FOR COUNT 72

8 X DAYS AVG WEEKDAY VOL 94618 X SEASONAL ADJ. FACTOR 1.1100 = 105026 X AXLE CORR FACTOR 0.7620 = ESTIMATED AVG DAILY TRAFFIC 80030

PEAK HOUR PERCENTAGES: K = 6.87 D = 50.54
 PEAK HOUR LOCATION : VOLUME = 6496 DATE: 03/24/05 TIME: 04:00 PM

NOTE: COUNT HIGH (?)



Interval 60 min. 15 min.

Count(volume) Speed
 Binned(CL/SP) Raw

Lane No 1 2

Direction Channel 1 SB U
 Direction Channel 2 SB
 Data Hog # 7064

Counter No. 1699-13 Count ID SP#05-006

SR 005 RRT/RRQ MP 16.80
~~17.22~~

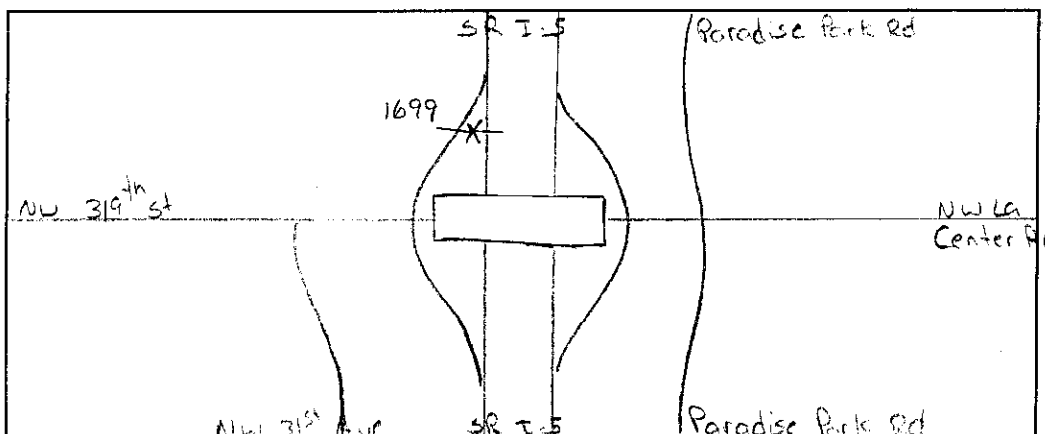
Leg R Direction See 1,2 OSID

Station Description _ ON Lane 1 = 005 R1 01707

Lane 2 = Main Line ON SR 5 @ NW LA CENTER RD BRIDGE UXING

Date	Day	Time	Comments
3-21-05	2	11:03	Manual (1) 1 (2) 13 Set Ok Counter (1) 1 (2) 13 CS/MD 6.6V
3-22-05	3	7:02	Manual (1) 1 (2) 50 Check Ok Counter (1) 1 (2) 50 CS/MD 6.3V
3-23-05	4	10:46	Manual (1) 2 (2) 50 Check Ok Accident shut off-New folder at 10:50 Counter (1) 2 (2) 50 CS/MD B tube up/fix at 10:50 6.4V
3-24-05	5	7:20	Manual (1) 5 (2) 50 Check Ok Counter (1) 5 (2) 50 CS/MD 6.3V
3-25-05	6	6:38	Manual (1) 1 (2) 1 Pick Up Counter (1) 1 (2) 1 CS/MD 6.3V

Sketch



C. Shelton / M. Dietz
Field Person



Interval 60 min. 15 min.

Count(volume) Speed

Binned(CL/SP) Raw

Lane No 1 2

Direction Channel 1 NB

Direction Channel 2 NB U

Data Hog # 7064

Counter No. 3442-13 Count ID SP#05-006

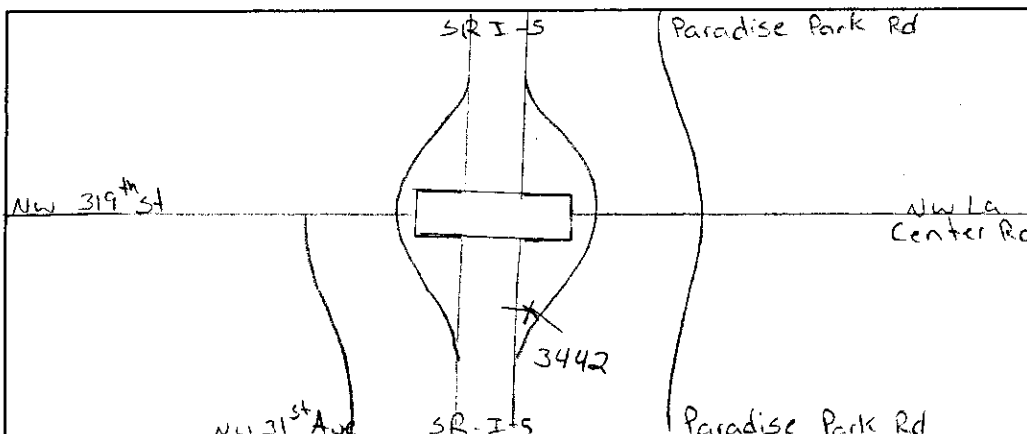
SR 005 RRT/RRQ MP 16.80
~~16.40~~

Leg + Direction See 1,2 OSID

Station Description ON Lane 1 = Main Line ON SR 5 @ NW LA CENTER RD BRIDGE
Lane 2 = 005 P1 0655 LIXING

Date	Day	Time	Comments
3-21-05	2	13:42	Manual (1) 10 (2) 5 Set Ok Counter (1) 10 (2) 5 CS/MD 6.8V
3-22-05	3	8:36	Manual (1) 55 (2) 4 Check Ok sp=5 Counter (1) 50 (2) 4 CS/MD 6.6V
3-23-05	4	5:14	Manual (1) 30 (2) 2 Check Ok Counter (1) 30 (2) 2 CS/MD 6.6V
3-24-05	5	9:46	Manual (1) 51 (2) 3 Check Ok Counter (1) 50 (2) 3 CS/MD 6.6V
3-25-05	6	7:12	Manual (1) 1 (2) 4 Pick Up Counter (1) 1 (2) 4 CS/MD 6.6V

Sketch



C. Shelton / M. Dietz
Field Person

SR 005 MP 016.80 OFF SYSTEM ID. LEG DESCRIPTION: ON SR 5 @ NW LA CENTER RD BRIDGE UXING LANE ALL OF

COUNT IDENTIFIER 05-006 COUNTER NUMBER 001699

03/21/05 MONDAY	AM HOURS												PM HOURS												DAILY TOTAL	
	1	2	3	4	5	6	7	8	9	10	11	12	1	2	3	4	5	6	7	8	9	10	11	12		
00-15	12	1	2	3	4	5	6	7	8	9	10	11	12	1	2	3	4	5	6	7	8	9	10	11	12	
15-30	1	2	3	4	5	6	7	8	9	10	11	12	1	2	3	4	5	6	7	8	9	10	11	12		
30-45																										
45-00																										
TOT	12	1	2	3	4	5	6	7	8	9	10	11	12	1	2	3	4	5	6	7	8	9	10	11	12	1918

AM PEAK HOUR 0000 TO 0000 VOLUME 0
 PM PEAK HOUR 0145 TO 0245 VOLUME 2695

03/22/05 TUESDAY	AM HOURS												PM HOURS												DAILY TOTAL	
	1	2	3	4	5	6	7	8	9	10	11	12	1	2	3	4	5	6	7	8	9	10	11	12		
00-15	12	1	2	3	4	5	6	7	8	9	10	11	12	1	2	3	4	5	6	7	8	9	10	11	12	
15-30	1	2	3	4	5	6	7	8	9	10	11	12	1	2	3	4	5	6	7	8	9	10	11	12		
30-45																										
45-00																										
TOT	528	413	439	469	723	1437	2087	2088	2034	2058	2095	2383	2356	2506	2464	2623	2617	797	3						30120	

AM PEAK HOUR 1100 TO 1200 VOLUME 2383
 PM PEAK HOUR 0315 TO 0415 VOLUME 2633

03/23/05 WEDNESDAY	AM HOURS												PM HOURS												DAILY TOTAL	
	1	2	3	4	5	6	7	8	9	10	11	12	1	2	3	4	5	6	7	8	9	10	11	12		
00-15	12	1	2	3	4	5	6	7	8	9	10	11	12	1	2	3	4	5	6	7	8	9	10	11	12	
15-30	1	2	3	4	5	6	7	8	9	10	11	12	1	2	3	4	5	6	7	8	9	10	11	12		
30-45																										
45-00																										
TOT																										2401

AM PEAK HOUR 1100 TO 1200 VOLUME 2401
 PM PEAK HOUR 0415 TO 0515 VOLUME 2800

TUBE UP

AM TOTAL 2401
 PM TOTAL 23447

DOT-RNB515A-B

STATE OF WASHINGTON - DEPARTMENT OF TRANSPORTATION

TRIP SYSTEM
15 MINUTE TRAFFIC COUNT SUMMARY

DATE 03/30/05
TIME 13:40:32
PAGE 12

SR 005 MP 016.80 OFF SYSTEM ID. LEG DESCRIPTION: ON SR 5 @ NW LA CENTER RD BRIDGE UXING LANE ALL OF

COUNT IDENTIFIER 05-006 COUNTER NUMBER 001699

03/24/05 THURSDAY		AM HOURS												PM HOURS												DAILY TOTAL
1	2	3	4	5	6	7	8	9	10	11	12	1	2	3	4	5	6	7	8	9	10	11	12	TOTAL		
12	1	2	3	4	5	6	7	8	9	10	11	12	1	2	3	4	5	6	7	8	9	10	11	12	4822	
168	136	113	129	169	295	531	463	529	495	560	617	612	673	640	661	729	727	551	488	341	368	254	179			
128	106	127	133	208	328	544	568	539	555	536	598	600	692	623	693	734	638	529	448	400	328	260	200			
30-45	112	108	101	116	183	375	532	534	550	624	615	640	708	642	743	755	676	509	393	340	276	205	172			
45-00	112	97	104	164	438	508	456	498	540	600	629	622	690	683	686	714	561	475	398	302	275	196	132			
TOT	520	447	445	542	766	1436	2139	2100	2140	2320	2459	2474	2763	2588	2783	2932	2602	2064	1727	1383	1247	915	683	41494		
								AM PEAK HOUR 1100 TO 1200 VOLUME 2459													AM TOTAL 17333					
								PM PEAK HOUR 0400 TO 0500 VOLUME 2932													PM TOTAL 24161					

03/25/05 FRIDAY		AM HOURS												PM HOURS												DAILY TOTAL
1	2	3	4	5	6	7	8	9	10	11	12	1	2	3	4	5	6	7	8	9	10	11	12	TOTAL		
12	1	2	3	4	5	6	7	8	9	10	11	12	1	2	3	4	5	6	7	8	9	10	11	12	4822	
166	122	78	101	145	258	412	463	529	495	560	617	612	673	640	661	729	727	551	488	341	368	254	179			
15-30	129	104	118	108	182	273	532	534	550	624	615	640	708	642	743	755	676	509	393	340	276	205	172			
30-45	152	99	152	148	164	345	456	498	540	600	629	622	690	683	686	714	561	475	398	302	275	196	132			
45-00	112	144	146	131	200	374	456	498	540	600	629	622	690	683	686	714	561	475	398	302	275	196	132			
TOT	559	469	494	488	691	1250	2139	2100	2140	2320	2459	2474	2763	2588	2783	2932	2602	2064	1727	1383	1247	915	683	4822		
								AM PEAK HOUR 0530 TO 0630 VOLUME 1590													AM TOTAL 4822					
								PM PEAK HOUR 0000 TO 0000 VOLUME 0													PM TOTAL 0					

03/21/05 THRU 03/25/05
TOTAL HOURS FOR COUNT 76

AVG WEEKDAY VOL 40848 FACTOR GROUP R045 45341 FACTOR CORR FACTOR 1.1100 = 46058 X AXLE CORR FACTOR 0.7620 = ESTIMATED AVG DAILY TRAFFIC 34550
AVG WEEKDAY VOL 41494 X SEASONAL ADJ. FACTOR 1.1100 = 46058 X AXLE CORR FACTOR 0.7620 = ESTIMATED AVG DAILY TRAFFIC 35096

SR 005 MP 016.80 OFF SYSTEM ID. LEG DIRECTION OF TRAFFIC NORTHBOUND LANE ALL OF

COUNT IDENTIFIER 05-006 COUNTER NUMBER 003442 DESCRIPTION: ON SR 5 @ NW LA CENTER RD BRIDGE UXING

03/21/05 MONDAY	AM HOURS												PM HOURS												DAILY TOTAL
	1	2	3	4	5	6	7	8	9	10	11	12	1	2	3	4	5	6	7	8	9	10	11	12	
12	1	2	3	4	5	6	7	8	9	10	11	12	1	2	3	4	5	6	7	8	9	10	11	12	16800
1	2	3	4	5	6	7	8	9	10	11	12	1	2	3	4	5	6	7	8	9	10	11	12		
TOT	651												651												16800

AM PEAK HOUR 0000 TO 0000 VOLUME 0
PM PEAK HOUR 0330 TO 0430 VOLUME 2657

03/22/05 TUESDAY	AM HOURS												PM HOURS												DAILY TOTAL
	1	2	3	4	5	6	7	8	9	10	11	12	1	2	3	4	5	6	7	8	9	10	11	12	
12	1	2	3	4	5	6	7	8	9	10	11	12	1	2	3	4	5	6	7	8	9	10	11	12	38496
1	2	3	4	5	6	7	8	9	10	11	12	1	2	3	4	5	6	7	8	9	10	11	12		
TOT	459												459												38496

AM PEAK HOUR 1015 TO 1115 VOLUME 2423
PM PEAK HOUR 0400 TO 0500 VOLUME 2716

03/23/05 WEDNESDAY	AM HOURS												PM HOURS												DAILY TOTAL
	1	2	3	4	5	6	7	8	9	10	11	12	1	2	3	4	5	6	7	8	9	10	11	12	
12	1	2	3	4	5	6	7	8	9	10	11	12	1	2	3	4	5	6	7	8	9	10	11	12	39599
1	2	3	4	5	6	7	8	9	10	11	12	1	2	3	4	5	6	7	8	9	10	11	12		
TOT	575												575												39599

AM PEAK HOUR 1015 TO 1115 VOLUME 2438
PM PEAK HOUR 0330 TO 0430 VOLUME 2561

SR 005 MP 016.80 OFF SYSTEM ID. LEG DIRECTION OF TRAFFIC NORTHBOUND LANE ALL OF

COUNT IDENTIFIER 05-006 COUNTER NUMBER 003442 DESCRIPTION: ON SR 5 @ NW LA CENTER RD BRIDGE UKING

03/24/05	THURSDAY	AM HOURS												PM HOURS												DAILY TOTAL
		1	2	3	4	5	6	7	8	9	10	11	12	1	2	3	4	5	6	7	8	9	10	11	12	
12	1	2	3	4	5	6	7	8	9	10	11	12	1	2	3	4	5	6	7	8	9	10	11	12	18254	
1	2	3	4	5	6	7	8	9	10	11	12	1	2	3	4	5	6	7	8	9	10	11	12	23644		
TOT	667	482	609	627	593	1166	1780	2260	2344	2526	2673	2527	2737	2658	2732	2676	2434	2073	1593	1341	1161	983	731	41898		

AM PEAK HOUR 1000 TO 1100 VOLUME 2673
PM PEAK HOUR 0100 TO 0200 VOLUME 2737

AM TOTAL 18254
PM TOTAL 23644

03/25/05	FRIDAY	AM HOURS												PM HOURS												DAILY TOTAL
		1	2	3	4	5	6	7	8	9	10	11	12	1	2	3	4	5	6	7	8	9	10	11	12	
12	1	2	3	4	5	6	7	8	9	10	11	12	1	2	3	4	5	6	7	8	9	10	11	12	5775	
1	2	3	4	5	6	7	8	9	10	11	12	1	2	3	4	5	6	7	8	9	10	11	12	16115		
TOT	652	513	581	549	755	1110	1615																	5775		

AM PEAK HOUR 0600 TO 0700 VOLUME 16115
PM PEAK HOUR 0000 TO 0000 VOLUME 0

AM TOTAL 5775
PM TOTAL 0

03/21/05 THRU 03/25/05
TOTAL HOURS FOR COUNT 89

3 DAYS AVG WEEKDAY VOL 39998 X SEASONAL ADJ. FACTOR 1.1100 = 44398 X AXLE CORR FACTOR 0.7620 = ESTIMATED AVG DAILY TRAFFIC 33831

FACTOR GROUP R045

FACTOR GROUP R045

SR 005 MP 016.80 OFF SYSTEM ID. LEG DIRECTION OF TRAFFIC BOTH WAYS LANE ALL OF
COUNT IDENTIFIER 05-006 COUNTER NUMBER 003442 DESCRIPTION: ON SR 5 @ NW LA CENTER RD BRIDGE UXING

03/21/05 MONDAY	AM HOURS												PM HOURS												DAILY TOTAL	
COUNT	1	2	3	4	5	6	7	8	9	10	11	12	1	2	3	4	5	6	7	8	9	10	11	12		
00-15	12	1	2	3	4	5	6	7	8	9	10	11	12	1	2	3	4	5	6	7	8	9	10	11	12	335
15-30	1	2	3	4	5	6	7	8	9	10	11	12	1	2	3	4	5	6	7	8	9	10	11	12	328	
30-45																										302
45-00																										299
TOT	12	1	2	3	4	5	6	7	8	9	10	11	12	1	2	3	4	5	6	7	8	9	10	11	12	34602

AM PEAK HOUR 0000 TO 0030 VOLUME 5312
PM PEAK HOUR 0330 TO 0430 VOLUME 5312

03/22/05 TUESDAY	AM HOURS												PM HOURS												DAILY TOTAL	
COUNT	1	2	3	4	5	6	7	8	9	10	11	12	1	2	3	4	5	6	7	8	9	10	11	12		
00-15	12	1	2	3	4	5	6	7	8	9	10	11	12	1	2	3	4	5	6	7	8	9	10	11	12	290
15-30	1	2	3	4	5	6	7	8	9	10	11	12	1	2	3	4	5	6	7	8	9	10	11	12	338	
30-45																										338
45-00																										297
TOT	12	1	2	3	4	5	6	7	8	9	10	11	12	1	2	3	4	5	6	7	8	9	10	11	12	66373

AM PEAK HOUR 1100 TO 1200 VOLUME 4703
PM PEAK HOUR 0400 TO 0500 VOLUME 5333

03/23/05 WEDNESDAY	AM HOURS												PM HOURS												DAILY TOTAL	
COUNT	1	2	3	4	5	6	7	8	9	10	11	12	1	2	3	4	5	6	7	8	9	10	11	12		
00-15	12	1	2	3	4	5	6	7	8	9	10	11	12	1	2	3	4	5	6	7	8	9	10	11	12	407
15-30	1	2	3	4	5	6	7	8	9	10	11	12	1	2	3	4	5	6	7	8	9	10	11	12	351	
30-45																										352
45-00																										282
TOT	12	1	2	3	4	5	6	7	8	9	10	11	12	1	2	3	4	5	6	7	8	9	10	11	12	50956

AM PEAK HOUR 1100 TO 1200 VOLUME 4769
PM PEAK HOUR 0330 TO 0430 VOLUME 5310

TUBE UP SB

TUBE UP SB

AM TOTAL 5330
PM TOTAL 45626

AM TOTAL 33451
PM TOTAL 32922

SR 005 MP 016.80 OFF SYSTEM ID. LEG DIRECTION OF TRAFFIC BOTH WAYS LANE ALL OF

COUNT IDENTIFIER 05-006 COUNTER NUMBER 003442 DESCRIPTION: ON SR 5 @ NW LA CENTER RD BRIDGE UXING

03/24/05 THURSDAY	AM HOURS												PM HOURS	DAILY TOTAL											
	1	2	3	4	5	6	7	8	9	10	11	12													
12	1	2	3	4	5	6	7	8	9	10	11	12	1	2	3	4	5	6	7	8	9	10	11	12	9743
TOT	1187	929	1054	1169	1359	2602	3919	4279	4444	4666	4993	4986	4999	5500	5246	5515	5608	5036	4137	3320	2724	2408	1898	1414	83392

AM PEAK HOUR 1030 TO 1130 VOLUME 5053
PM PEAK HOUR 0400 TO 0500 VOLUME 5608

03/25/05 FRIDAY	AM HOURS												PM HOURS	DAILY TOTAL											
	1	2	3	4	5	6	7	8	9	10	11	12													
12	1	2	3	4	5	6	7	8	9	10	11	12	1	2	3	4	5	6	7	8	9	10	11	12	9743
TOT	1211	982	1075	1037	1446	2360	1632																		9743

AM PEAK HOUR 0530 TO 0630 VOLUME 2951
PM PEAK HOUR 0000 TO 0000 VOLUME 0

03/21/05 THRU 03/25/05
TOTAL HOURS FOR COUNT 74

2 X DAYS **81235** FACTOR GROUP R045 **90171** FACTOR GROUP R045 **68710**
 AVG WEEKDAY VOL 83392 X SEASONAL ADJ. FACTOR 1.1100 = 92565 X AXLE CORR FACTOR 0.7620 = ESTIMATED AVG DAILY TRAFFIC 70535
 PEAK HOUR PERCENTAGES: K = 6.72 D = 52.28
 PEAK HOUR LOCATION : VOLUME = 5608 DATE: 03/24/05 TIME: 04:00 PM

NOTE: COUNT HIGH (?)