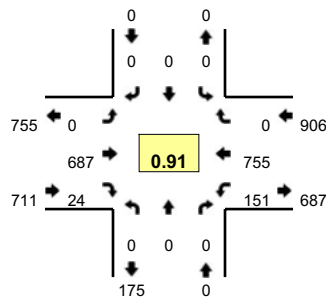
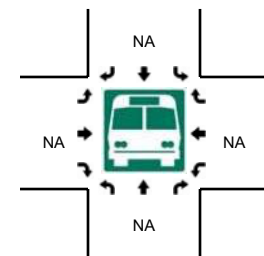
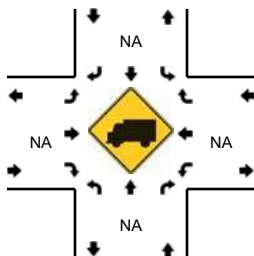
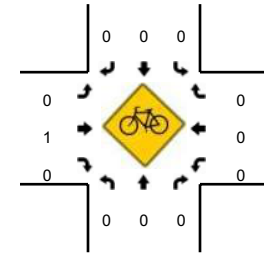
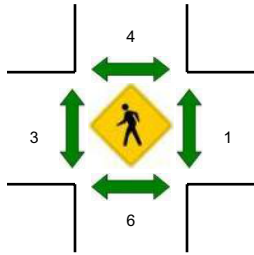
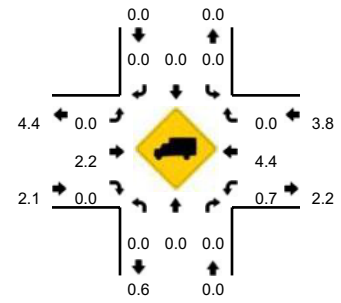


**LOCATION:** NE Ward Rd (West) -- NE Padden Pkwy  
**CITY/STATE:** Vancouver, WA

**QC JOB #:** 14655130  
**DATE:** Wed, Mar 21 2018



**Peak-Hour: 4:45 PM -- 5:45 PM**  
**Peak 15-Min: 5:10 PM -- 5:25 PM**



5-Min Count Period Beginning At	NE Ward Rd (West) (Northbound)				NE Ward Rd (West) (Southbound)				NE Padden Pkwy (Eastbound)				NE Padden Pkwy (Westbound)				Total	Hourly Totals
	Left	Thru	Right	U	Left	Thru	Right	U	Left	Thru	Right	U	Left	Thru	Right	U		
4:00 PM	0	0	0	0	0	0	0	0	0	29	4	0	14	56	0	0	103	
4:05 PM	0	0	0	0	0	0	0	0	0	40	1	0	13	63	0	0	117	
4:10 PM	0	0	0	0	0	0	0	0	0	29	3	0	10	52	0	0	94	
4:15 PM	0	0	0	0	0	0	0	0	0	53	0	0	14	68	0	0	135	
4:20 PM	0	0	0	0	0	0	0	0	0	57	3	0	7	54	0	0	121	
4:25 PM	0	0	0	0	0	0	0	0	0	43	3	0	13	60	0	0	119	
4:30 PM	0	0	0	0	0	0	0	0	0	64	2	0	7	49	0	0	122	
4:35 PM	0	0	0	0	0	0	0	0	0	37	1	0	11	52	0	0	101	
4:40 PM	0	0	0	0	0	0	0	0	0	47	5	0	15	53	0	0	120	
4:45 PM	0	0	0	0	0	0	0	0	0	52	2	0	12	89	0	0	155	
4:50 PM	0	0	0	0	0	0	0	0	0	52	1	0	11	43	0	0	107	
4:55 PM	0	0	0	0	0	0	0	0	0	49	2	0	19	64	0	0	134	1428
5:00 PM	0	0	0	0	0	0	0	0	0	56	4	0	9	51	0	0	120	1445
5:05 PM	0	0	0	0	0	0	0	0	0	37	1	0	13	56	0	0	107	1435
5:10 PM	0	0	0	0	0	0	0	0	0	89	4	0	14	44	0	0	151	1492
5:15 PM	0	0	0	0	0	0	0	0	0	62	1	0	7	82	0	0	152	1509
5:20 PM	0	0	0	0	0	0	0	0	0	54	0	0	14	75	0	0	143	1531
5:25 PM	0	0	0	0	0	0	0	0	0	57	4	0	10	68	0	0	139	1551
5:30 PM	0	0	0	0	0	0	0	0	0	55	0	0	13	57	0	0	125	1554
5:35 PM	0	0	0	0	0	0	0	0	0	53	2	0	14	70	0	0	139	1592
5:40 PM	0	0	0	0	0	0	0	0	0	71	3	0	15	56	0	0	145	1617
5:45 PM	0	0	0	0	0	0	0	0	0	54	0	0	8	67	0	0	129	1591
5:50 PM	0	0	0	0	0	0	0	0	0	52	5	0	12	54	0	0	123	1607
5:55 PM	0	0	0	0	0	0	0	0	0	34	2	0	11	50	0	0	97	1570
Peak 15-Min Flowrates	Northbound				Southbound				Eastbound				Westbound				Total	
	Left	Thru	Right	U	Left	Thru	Right	U	Left	Thru	Right	U	Left	Thru	Right	U		
All Vehicles	0	0	0	0	0	0	0	0	0	820	20	0	140	804	0	0	1784	
Heavy Trucks	0	0	0	0	0	0	0	0	0	12	0	0	0	44	0	0	56	
Pedestrians		4				4				0				0			8	
Bicycles	0	0	0		0	0	0			1	0		0	0	0		1	
Railroad																		
Stopped Buses																		

Comments: